

# HydroSure™

IRRIGATION SYSTEMS THAT WORK

## Complete 100m Automated PC Drip Line Irrigation System

(14mm Internal / 16mm External)

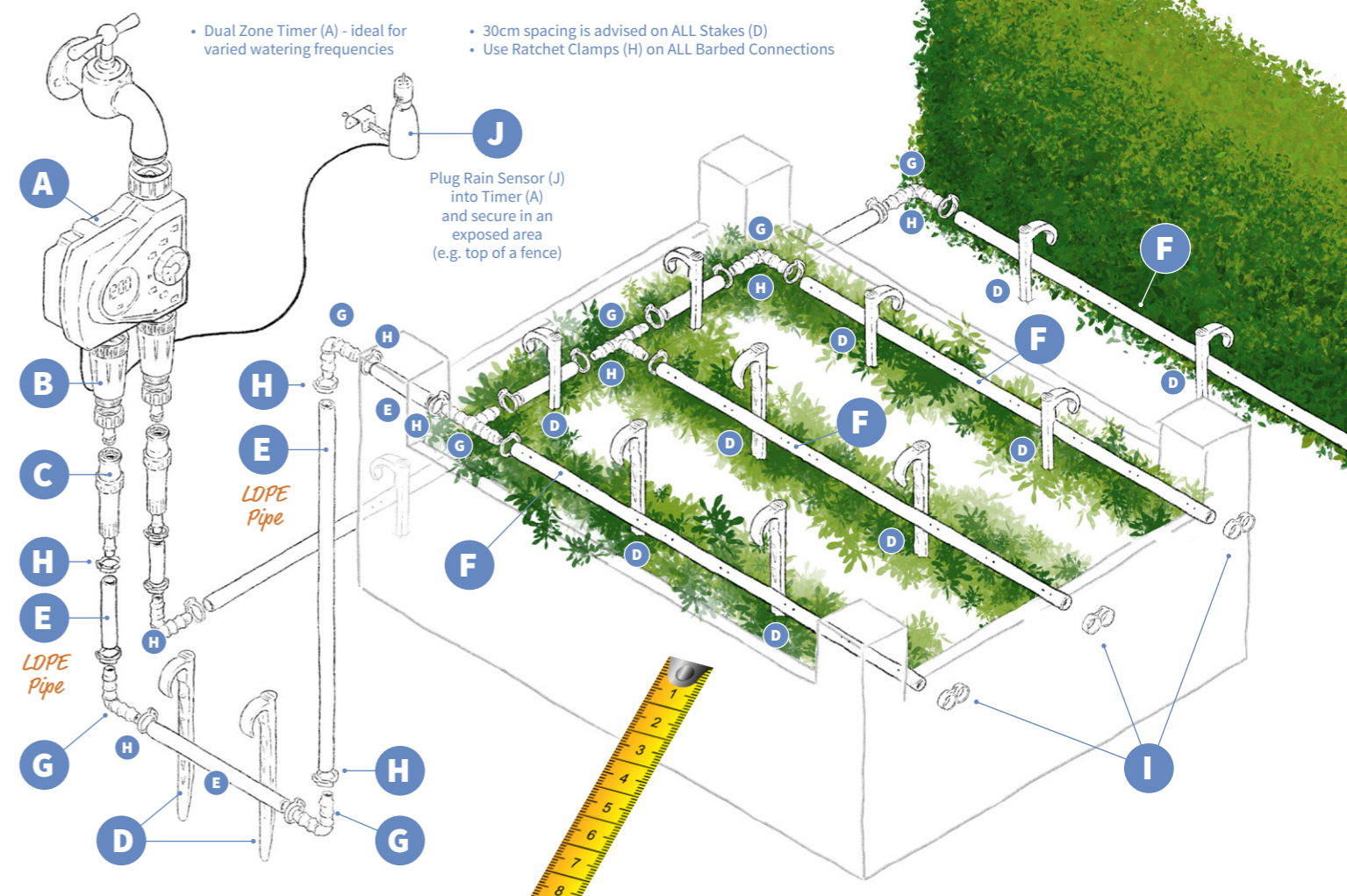
[www.hydrosure.com](http://www.hydrosure.com)

AUTODRIPLINEBL100\_KP



5 056287 731088 >

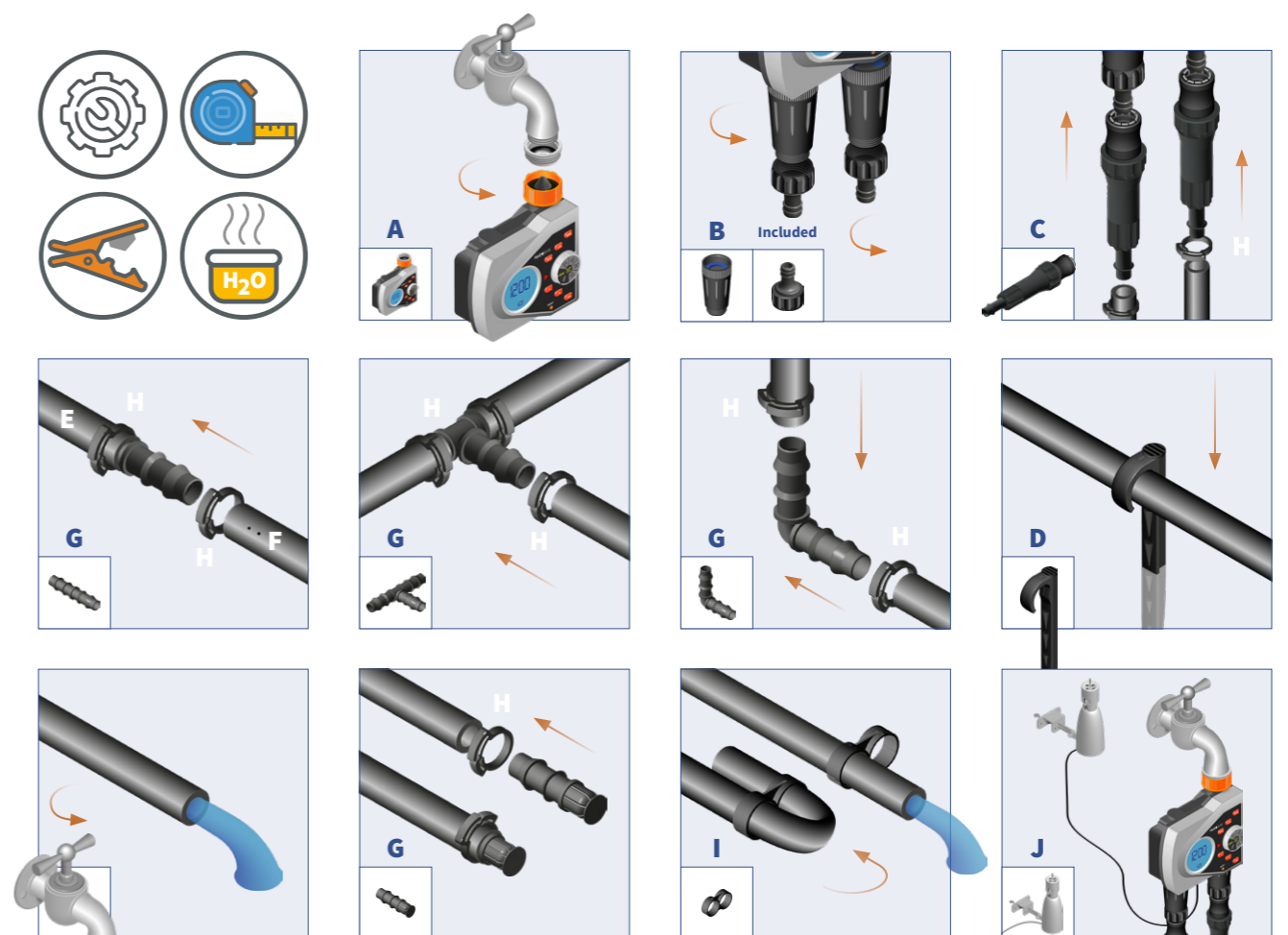
### PLANNING



### COMPONENTS INCLUDED

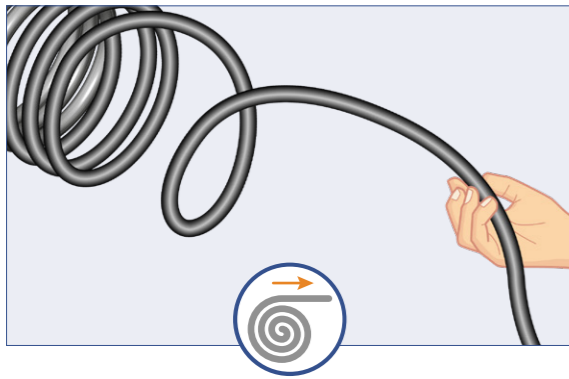


### INSTALLATION



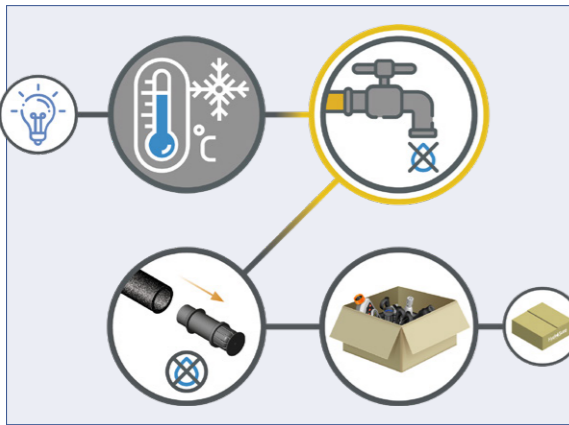
# HELPFUL HINTS

## UNRAVEL PIPES

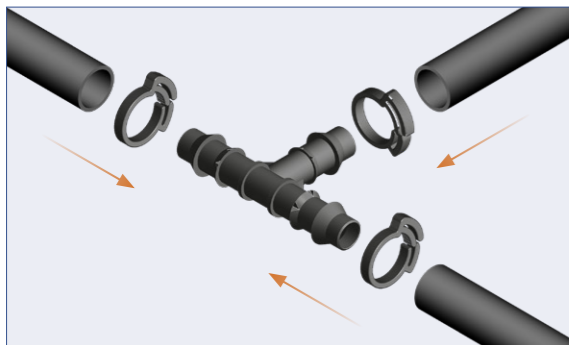


Unravel pipes for at least 1hr before assembly

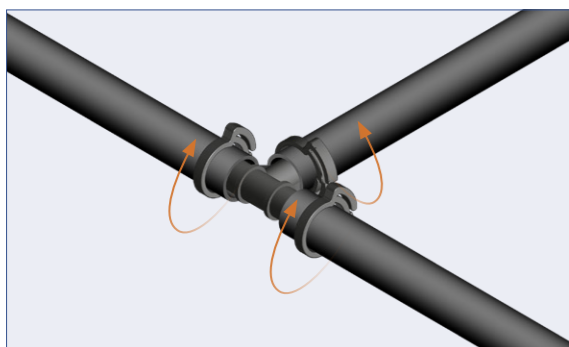
## WINTERISING



## RACHET CLAMPS



Use Ratchet Clamps (H) on ALL Barbed Connections



Pinch Ratchet Clamps & check for leaks



## OUTLET TIMER



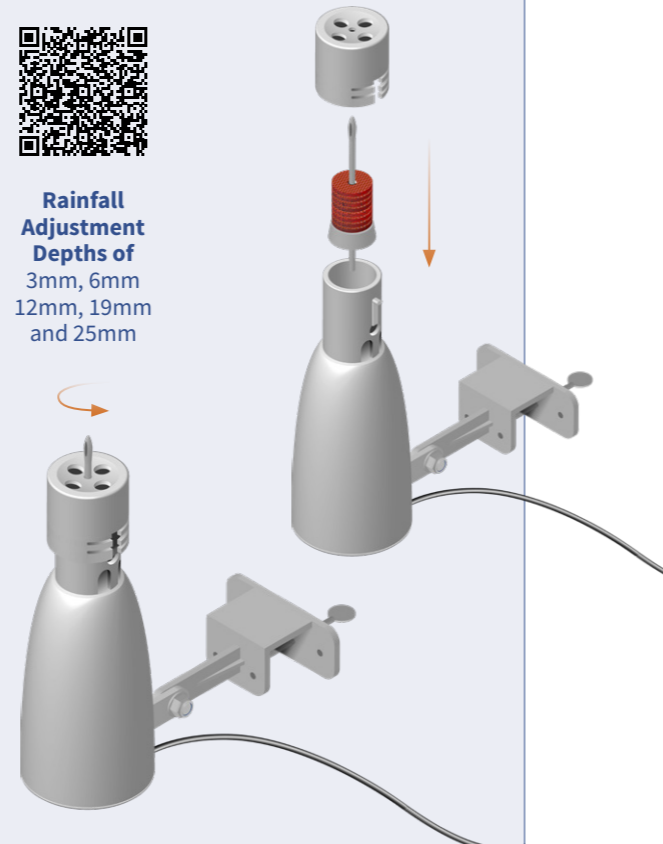
2 x AA Batteries included

Digital Display Water Tap Timer

## RAIN SENSOR



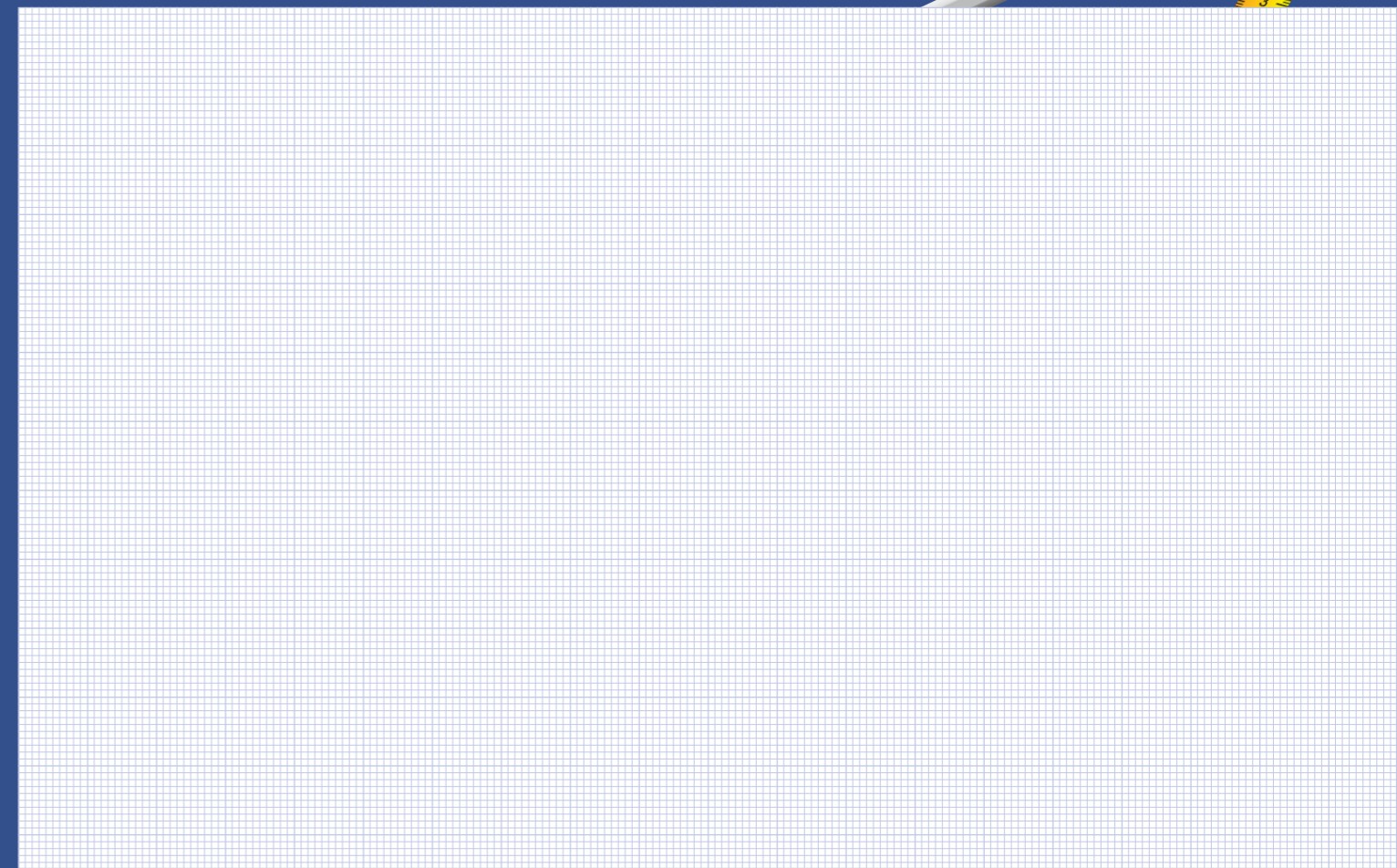
Rainfall Adjustment Depths of 3mm, 6mm, 12mm, 19mm and 25mm



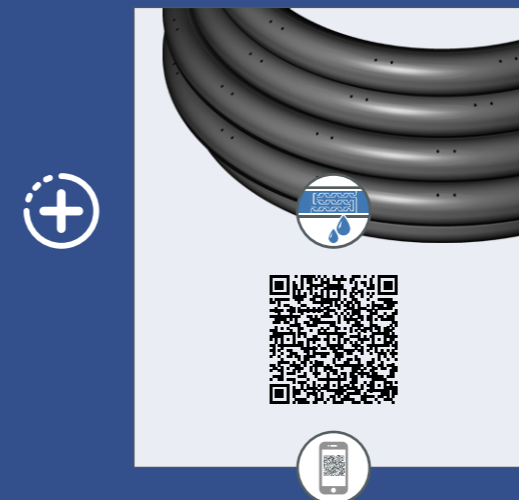
Mini click adjustable rain sensor

# PLANNING - YOUR LAYOUT

SKETCH YOUR LAYOUT. Draw any obstacles you need to work around.



## EXTEND YOUR SYSTEM



# HydroSure™

IRRIGATION SYSTEMS THAT WORK