

HydroSure™

IRRIGATION SYSTEMS THAT WORK

Complete 25m Automated PC Drip Line Irrigation System

(14mm Internal / 16mm External)

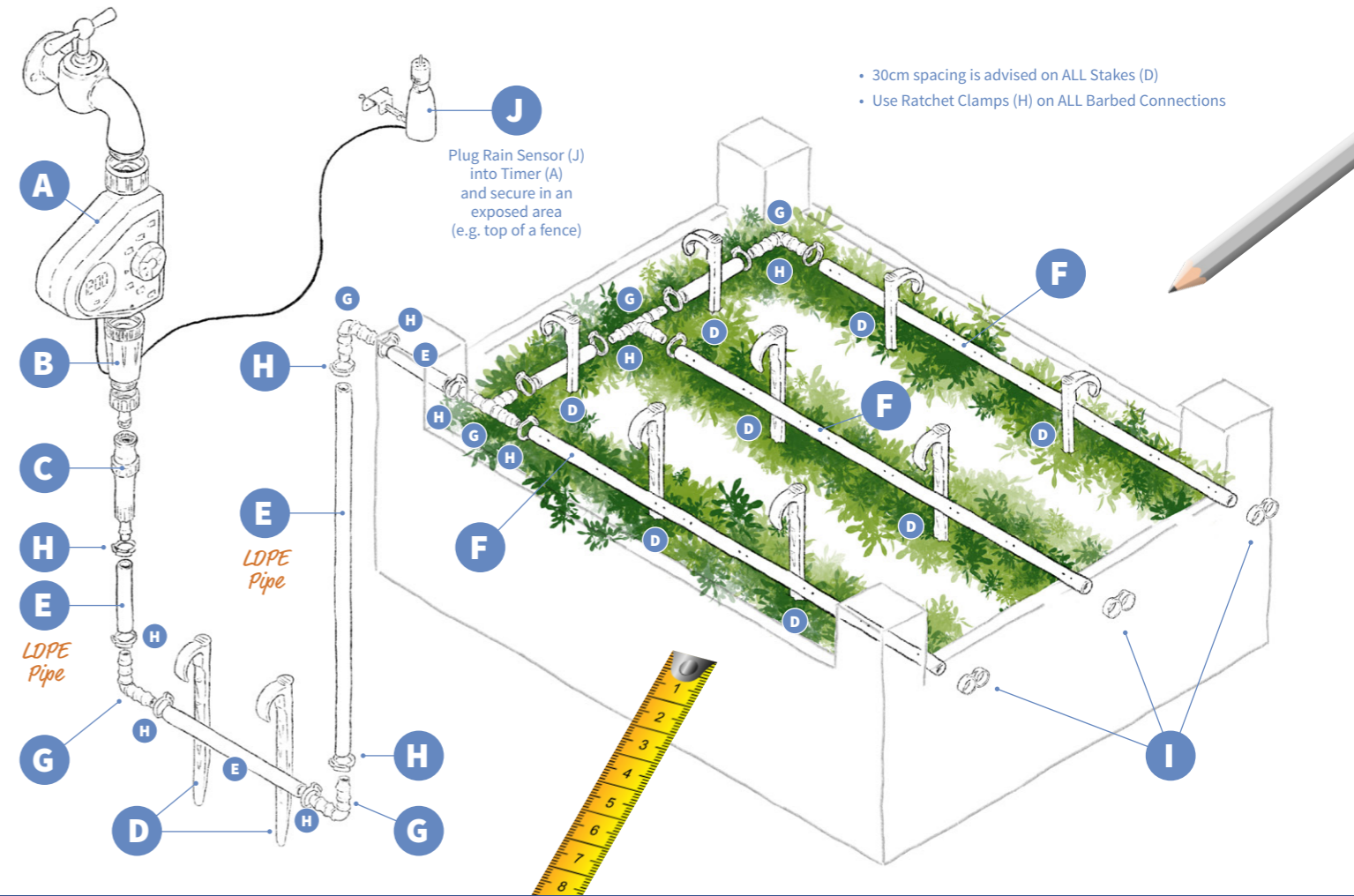
www.hydrosure.com

AUTODRIPLINEBL25_KP



5 056287 731071 >

PLANNING



COMPONENTS INCLUDED

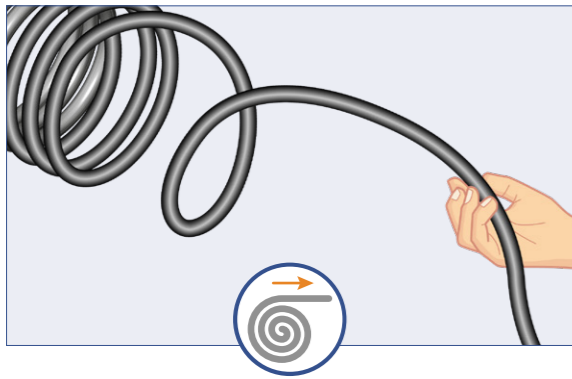


INSTALLATION



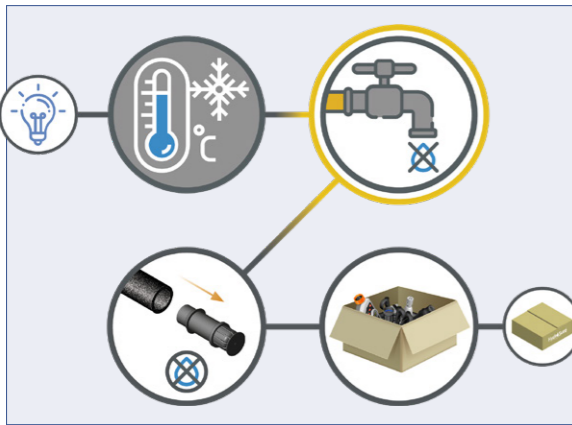
HELPFUL HINTS

UNRAVEL PIPES

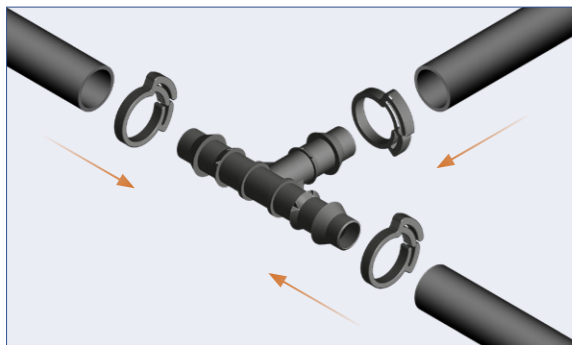


Unravel pipes for at least 1hr before assembly

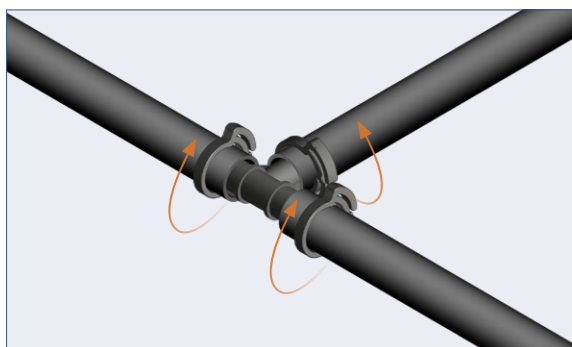
WINTERISING



RACHET CLAMPS



Use Ratchet Clamps (H) on ALL Barbed Connections



Pinch Ratchet Clamps & check for leaks

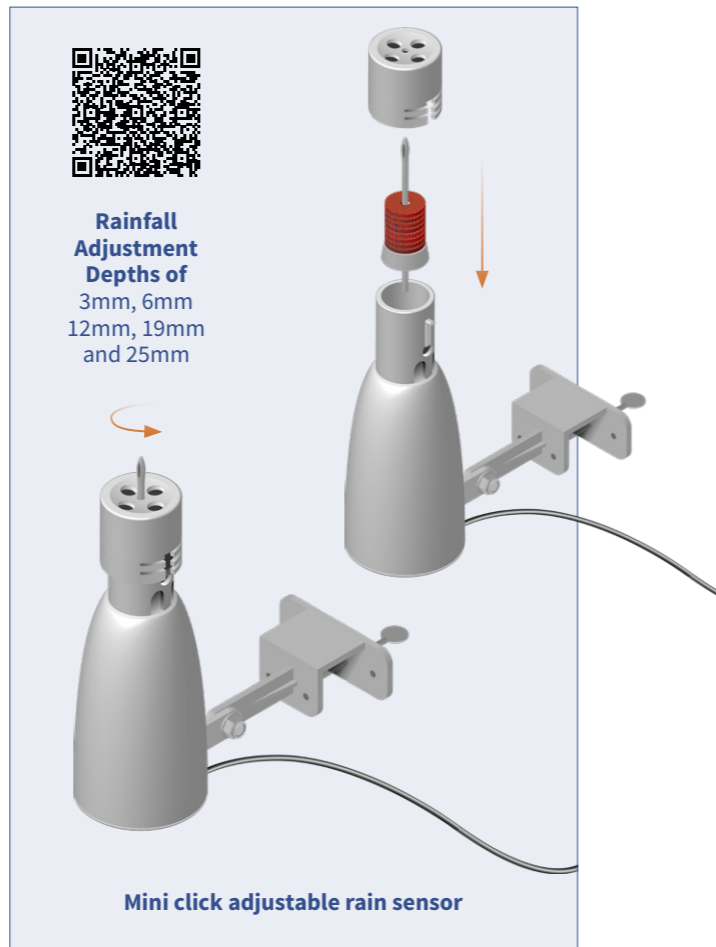


OUTLET TIMER



Digital Display Water Tap Timer

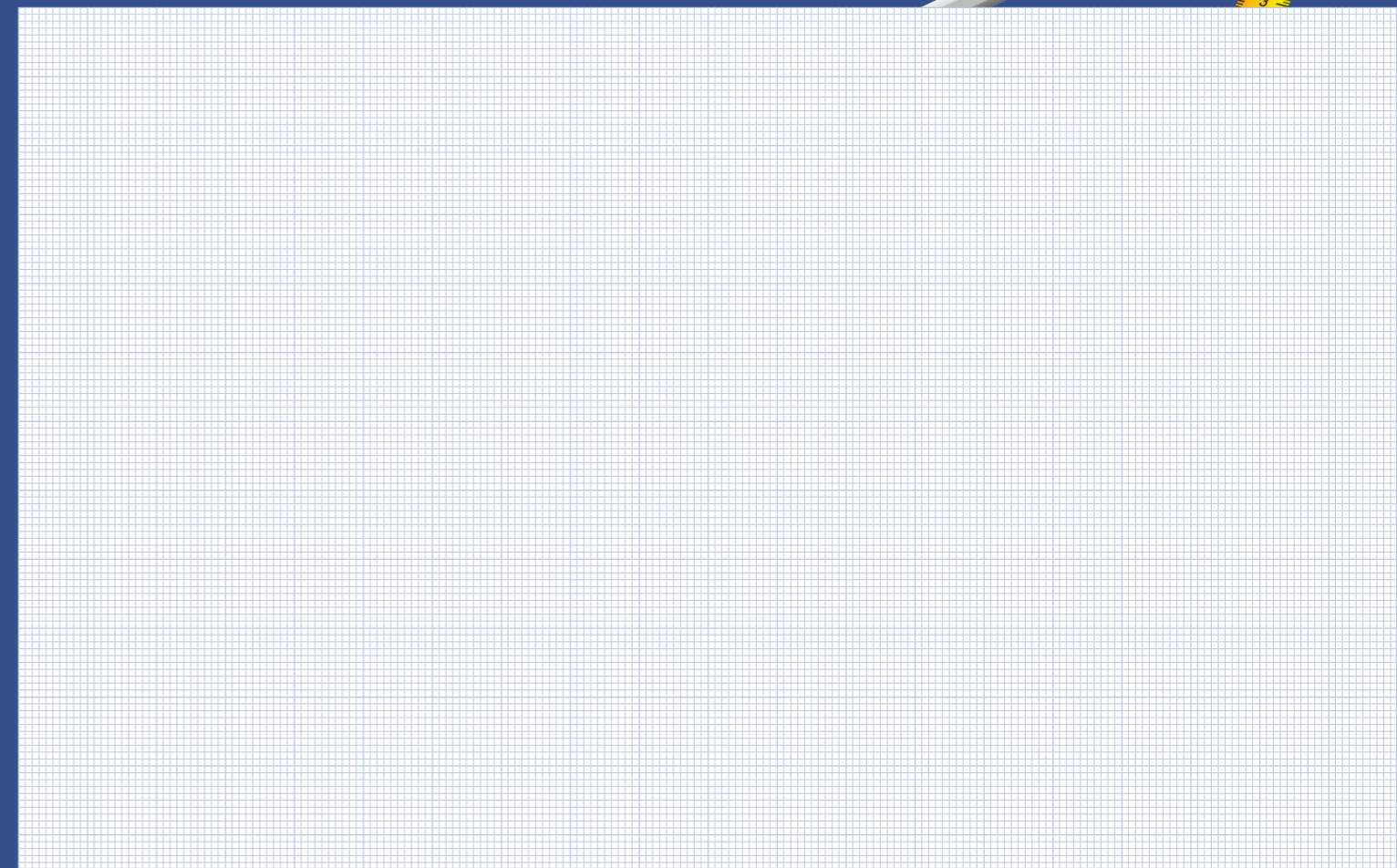
RAIN SENSOR



Mini click adjustable rain sensor

PLANNING - YOUR LAYOUT

SKETCH YOUR LAYOUT. Draw any obstacles you need to work around.



EXTEND YOUR SYSTEM



HydroSure™

IRRIGATION SYSTEMS THAT WORK