

HydroSure™

IRRIGATION SYSTEMS THAT WORK

Complete 100m Drip Line Irrigation System

(18mm Internal / 20mm External)

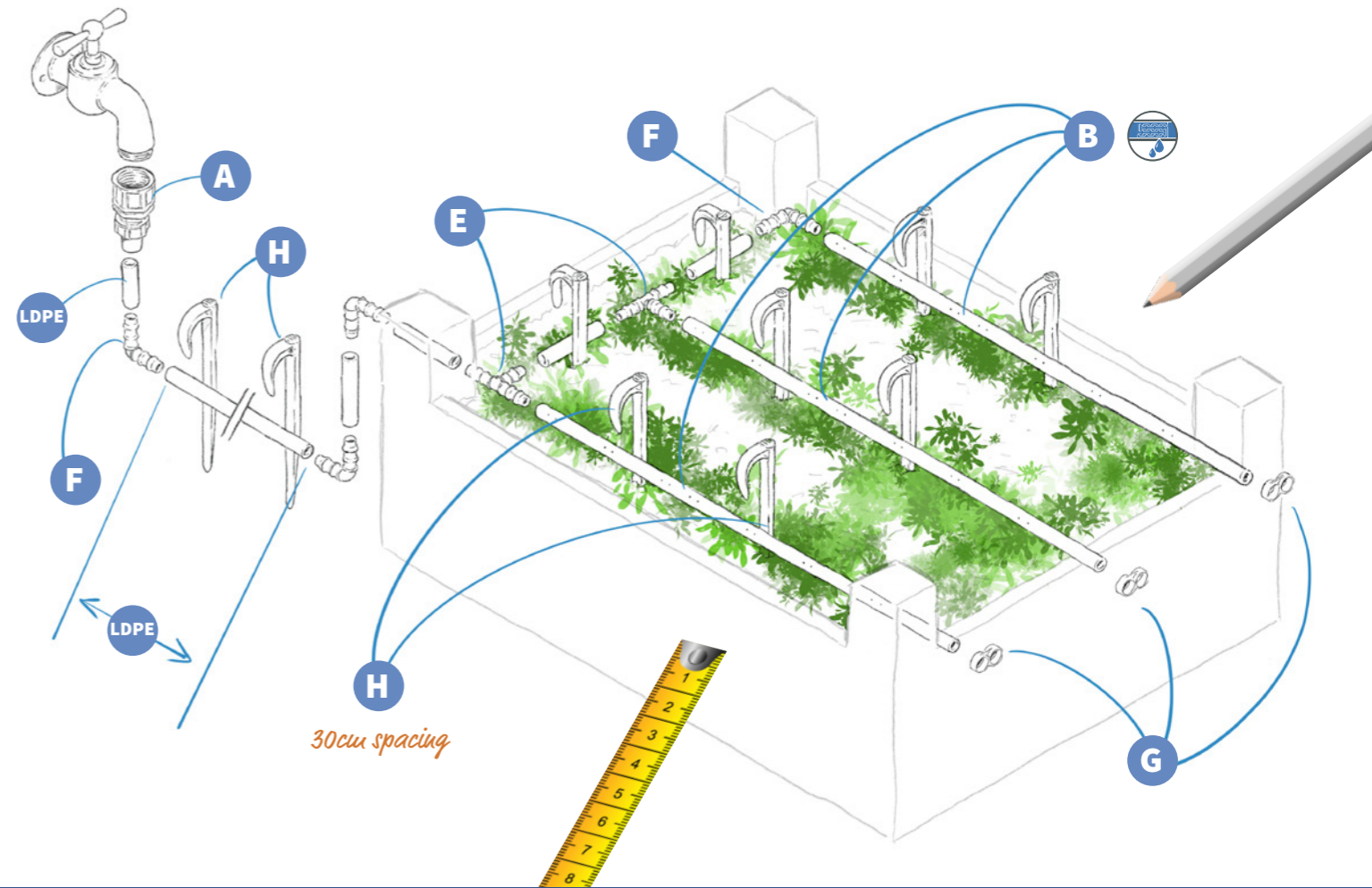
www.hydrosure.com

DRIP17BL100-INSTRUCTION



5 056287 730142 >

PLANNING



COMPONENTS INCLUDED

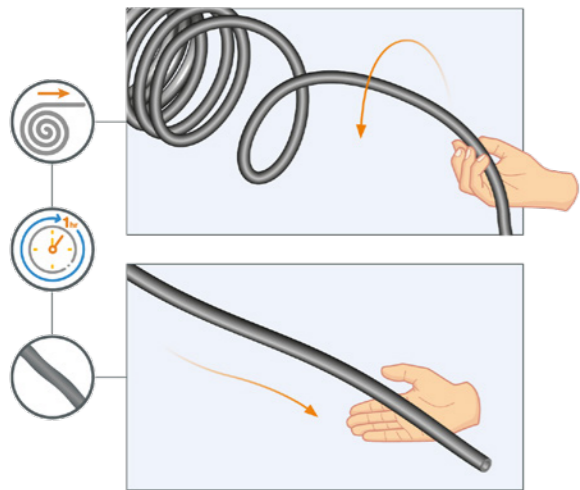
<p>A x5</p>	<p>B x1</p>	<p>C x12</p>	
<p>D x8</p>	<p>E x15</p>	<p>F x18</p>	<p>G x5</p>
<p>H x100</p>	<p>I x1</p>	<p>Things you might need</p>	

INSTALLATION

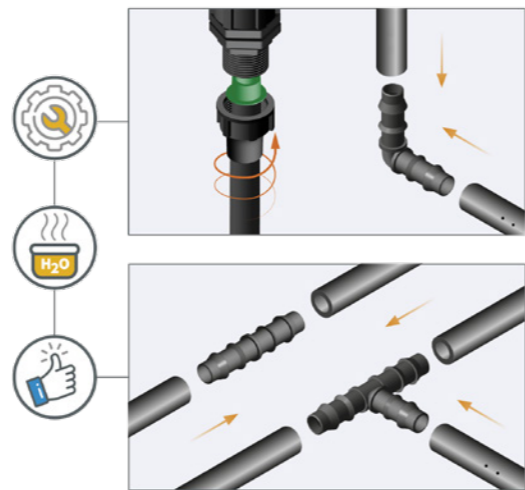
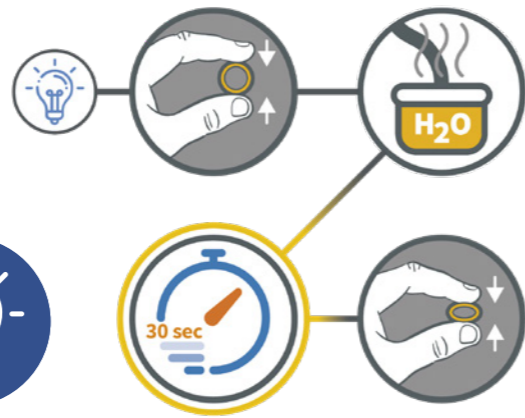


HELPFUL HINTS

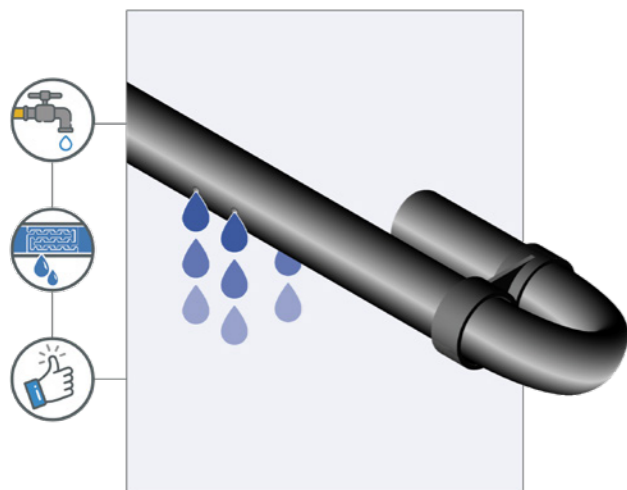
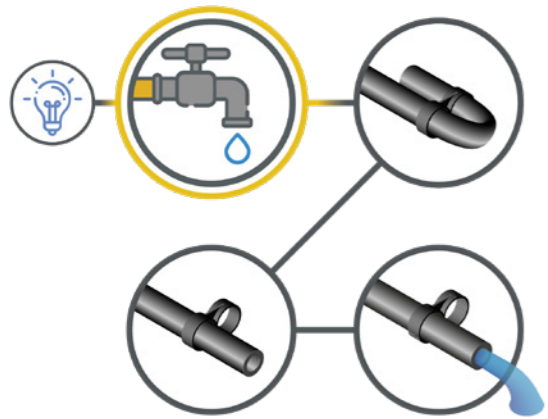
UNRAVEL



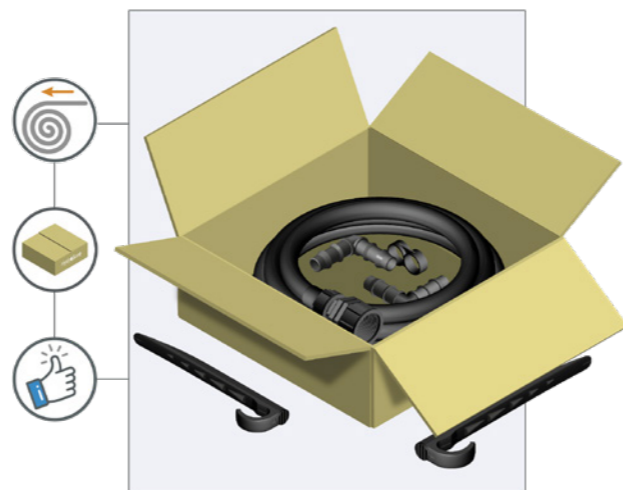
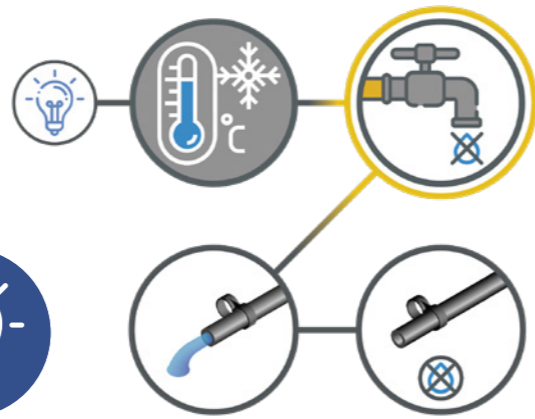
INSTALLATION



FLUSHING SYSTEM



WINTERISING



ADDITIONAL EQUIPMENT

EXTEND YOUR SYSTEM

HydroSure™

IRRIGATION SYSTEMS THAT WORK