

HydroSure™

IRRIGATION SYSTEMS THAT WORK

Complete 50m Drip Line Irrigation System

(18mm Internal / 20mm External)

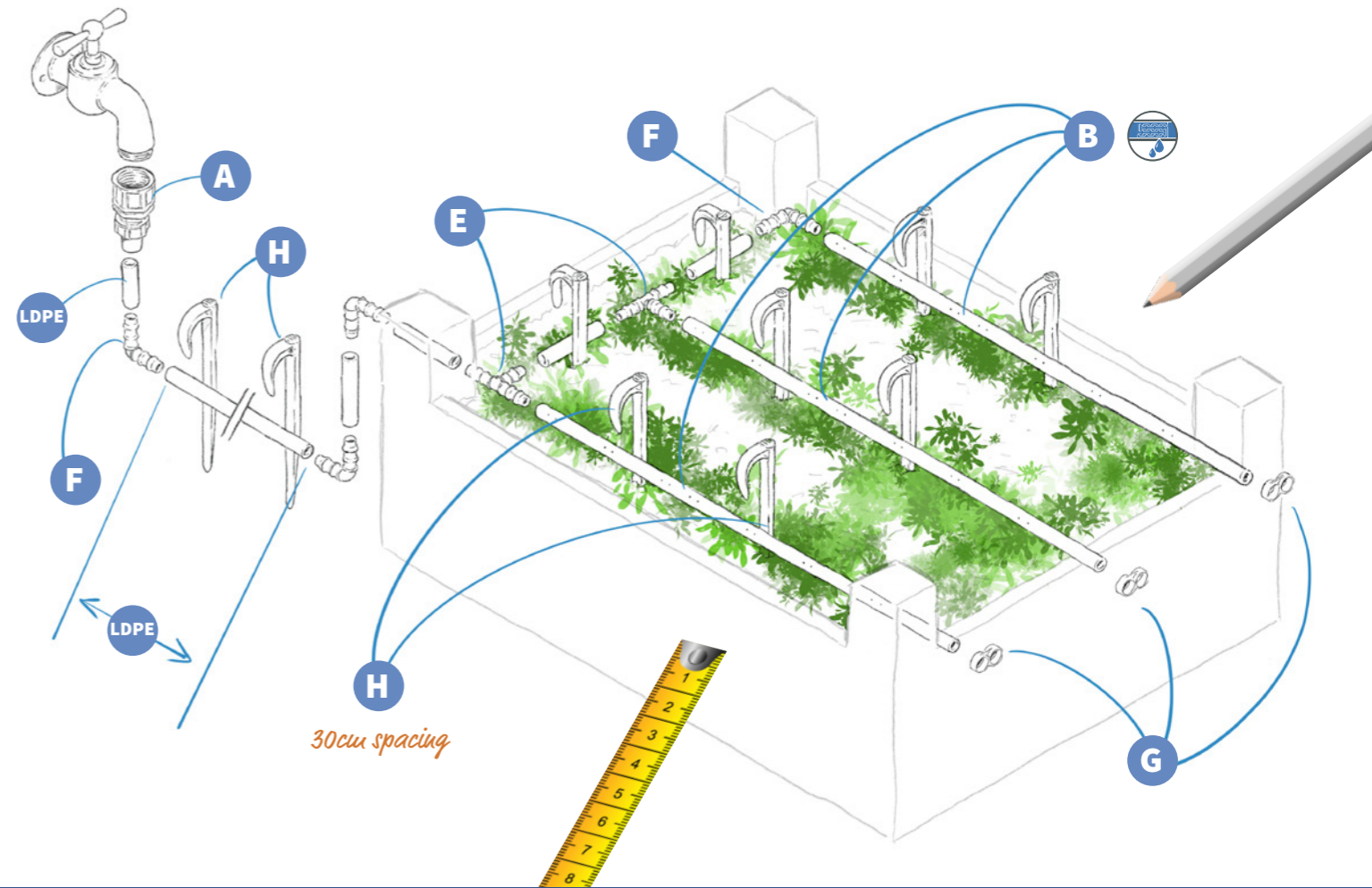
www.hydrosure.com

DRIP17BL50-INSTRUCTION



5 056287 730173 >

PLANNING

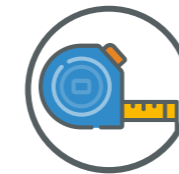


COMPONENTS INCLUDED

A x5	B x1	C x12
D x8	E x15	F x18
G x5	H x100	I x1

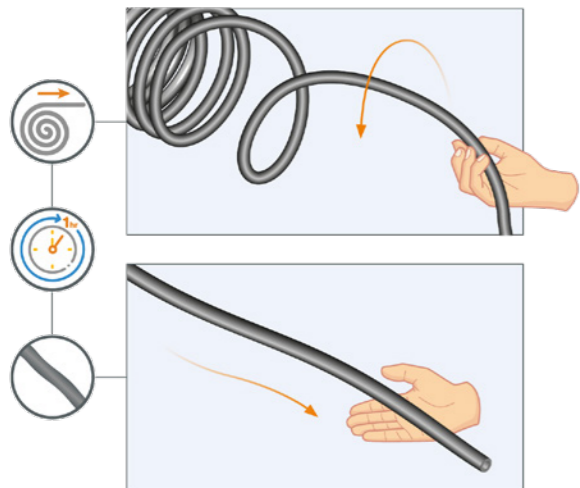
Things you might need

INSTALLATION

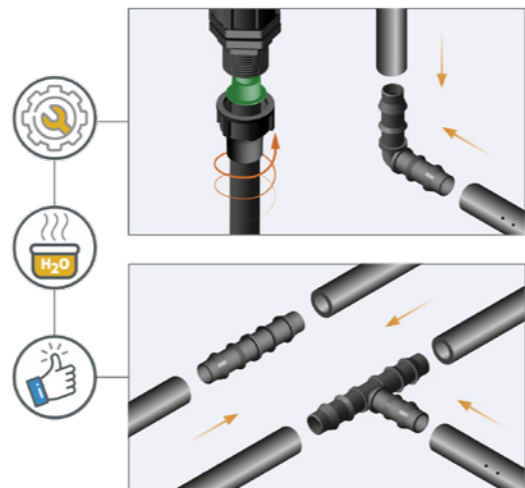


HELPFUL HINTS

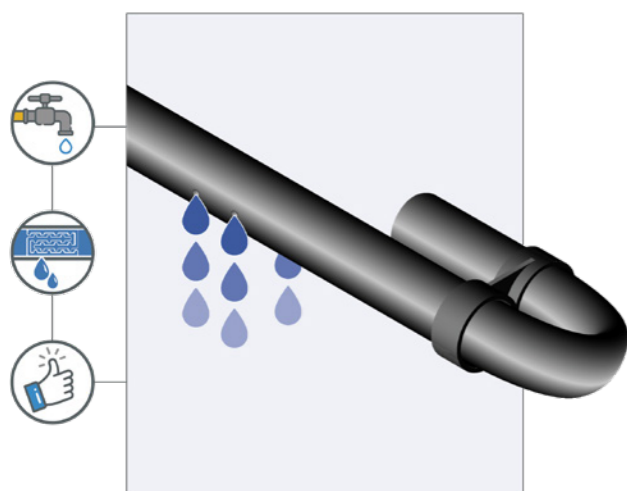
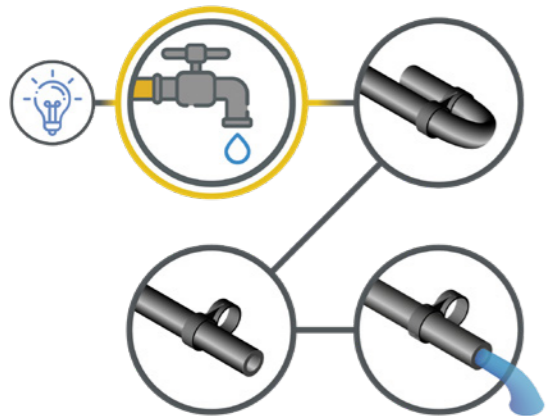
UNRAVEL



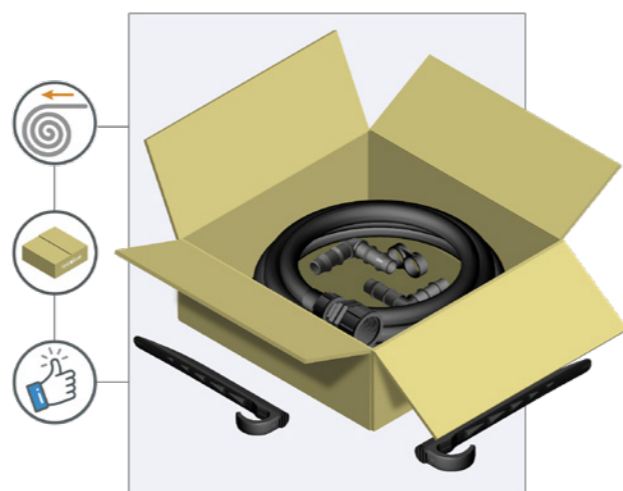
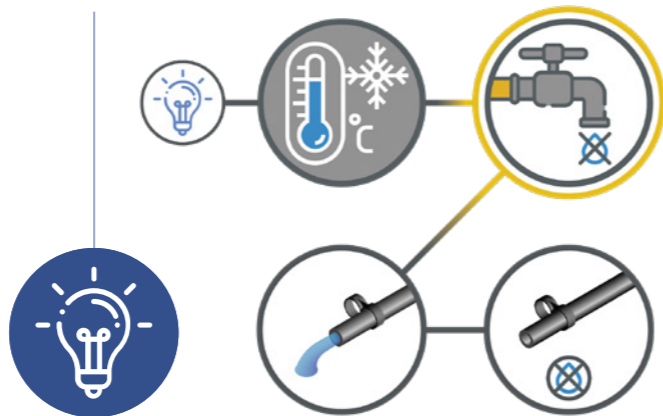
INSTALLATION



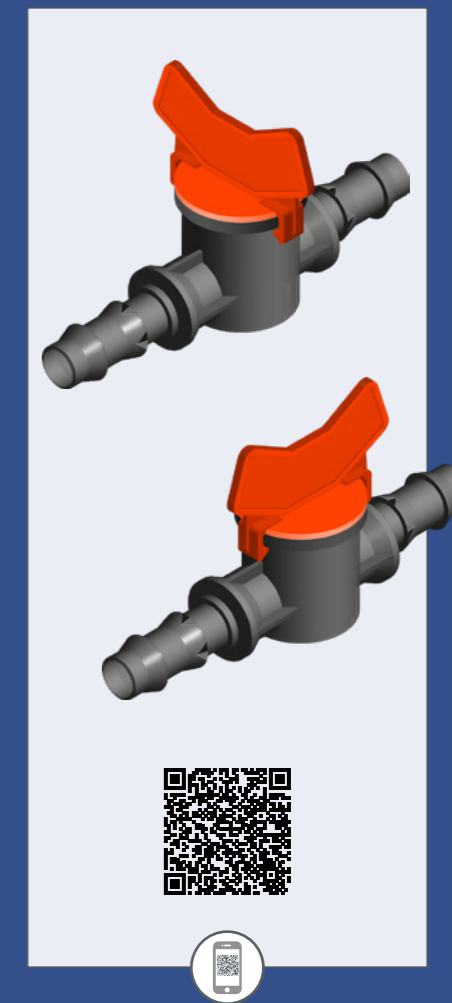
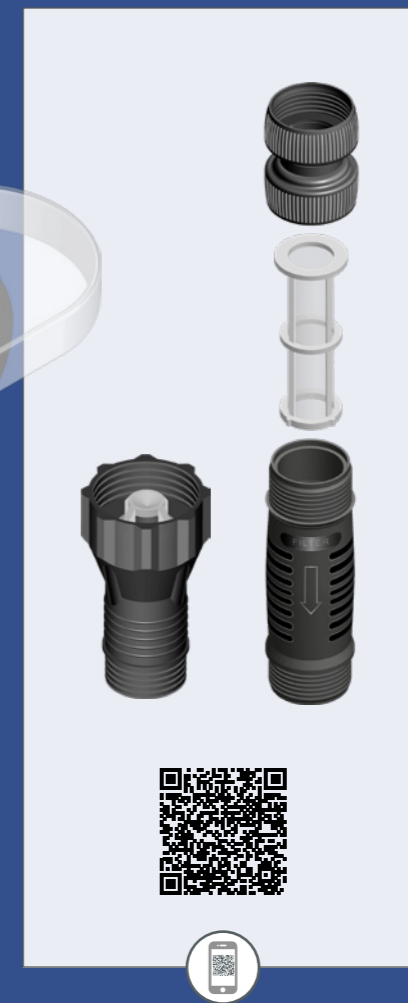
FLUSHING SYSTEM



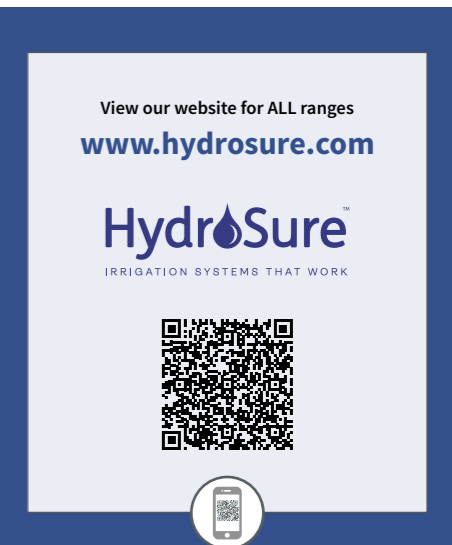
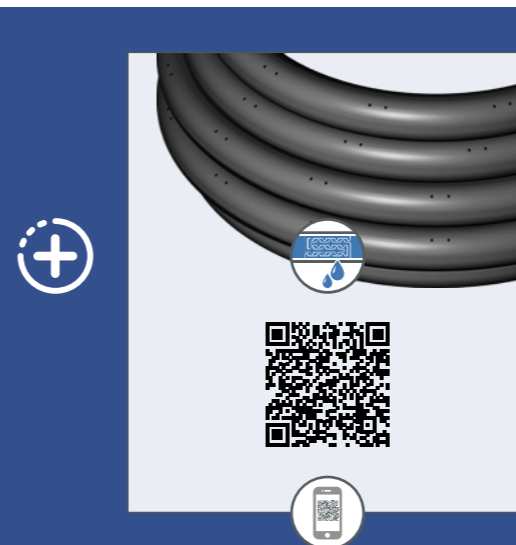
WINTERISING



ADDITIONAL EQUIPMENT



EXTEND YOUR SYSTEM



HydroSure™

IRRIGATION SYSTEMS THAT WORK