

# HydroSure™

IRRIGATION SYSTEMS THAT WORK

## 100m Heavy Duty Wall Mounted Hose Reel

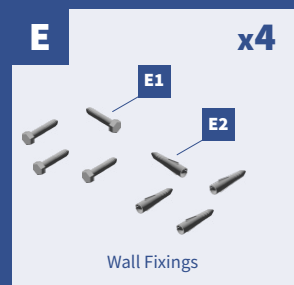
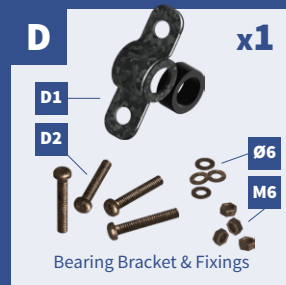
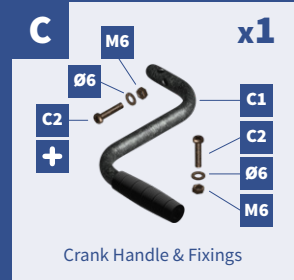
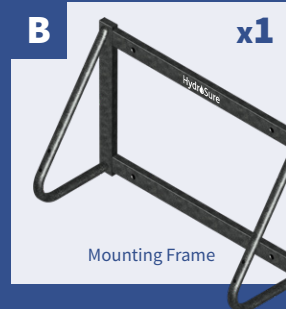
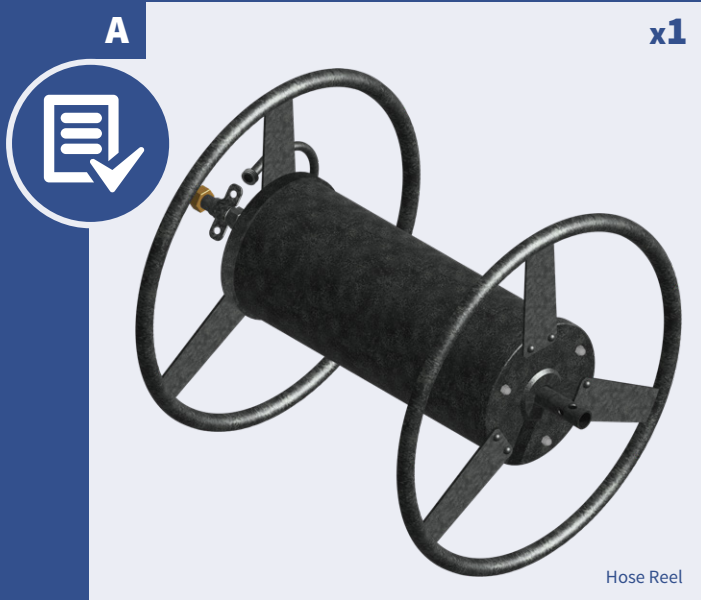
[www.hydrosure.com](http://www.hydrosure.com)

40229399

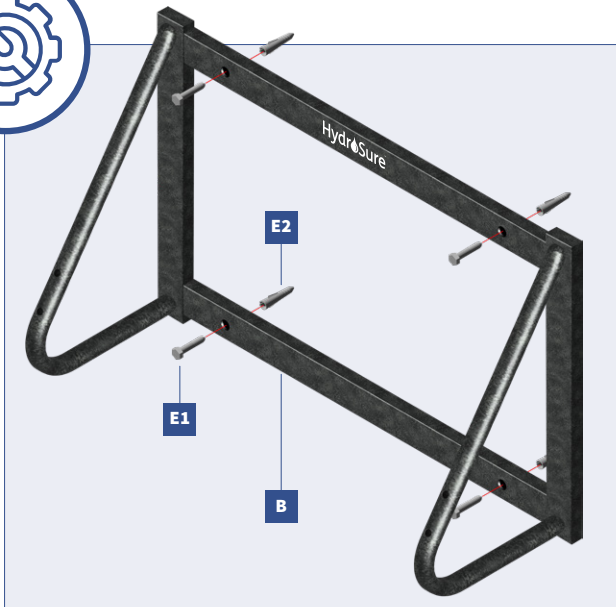


5 056287 729399 >

### COMPONENTS INCLUDED



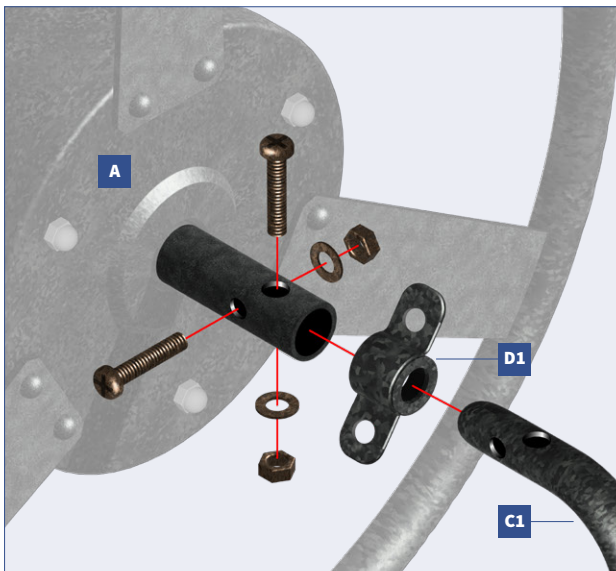
# ASSEMBLY INSTRUCTIONS



Place Mounting Frame (B) on the wall and mark fixings.  
Drill 4 x 12mm diameter holes - 70mm deep.



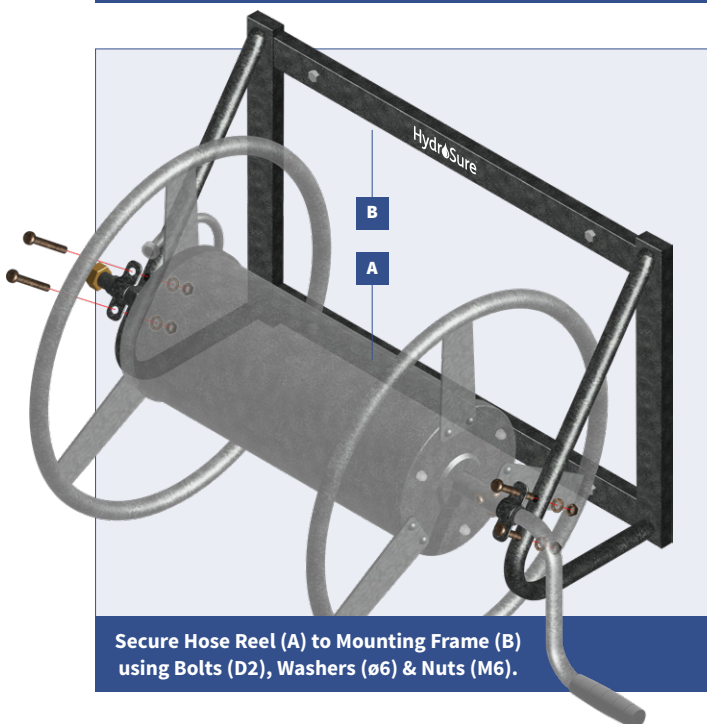
Insert the 4 Masonry Wall Anchors (E2).  
Tighten 4 Fixing Bolts (E1) securely.



Slide Bearing Bracket (D1) onto Crank Handle (C1).  
Insert Crank Handle (C1) onto Hose Reel Hub (A).



Secure Bolts (C2), Washer (ø6) & Nut (M6) using the  
Adjustable Spanner and Cross head Screwdriver



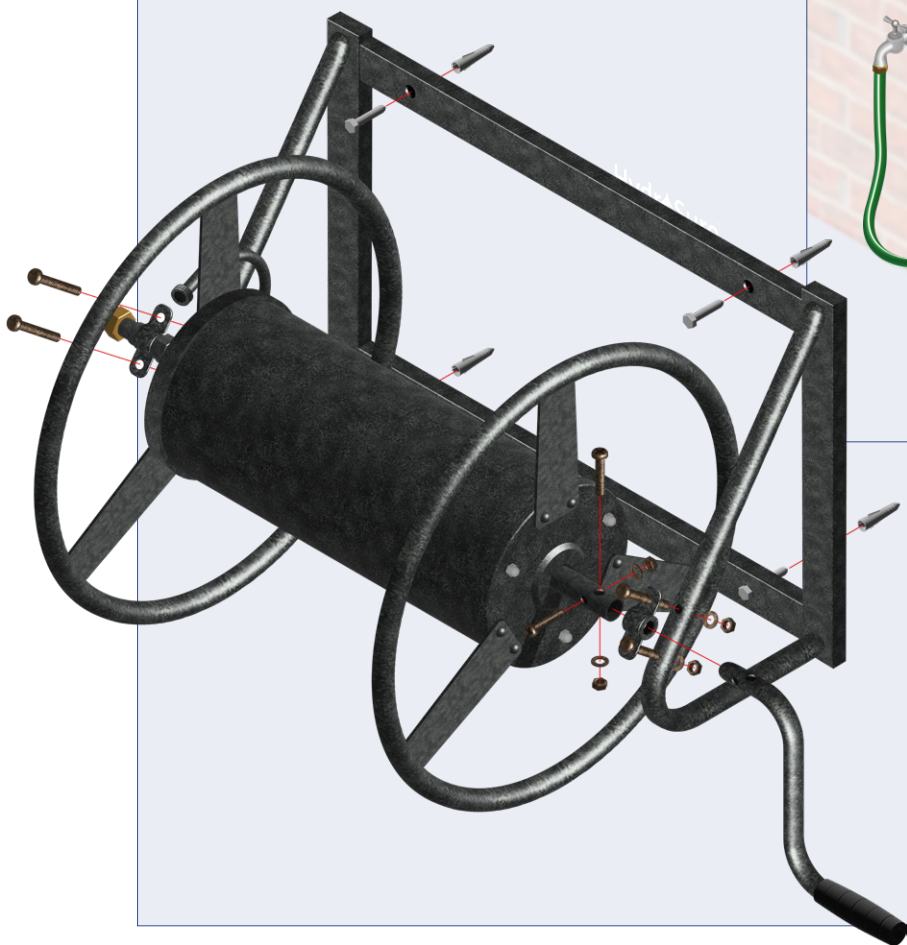
Secure Hose Reel (A) to Mounting Frame (B)  
using Bolts (D2), Washers (ø6) & Nuts (M6).



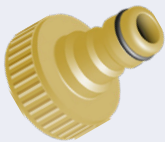
Connect Leader Hose (F) to the  
Hose Reel Outlet (A).

# 100m HEAVY DUTY WALL MOUNTED HOSE REEL

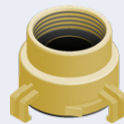
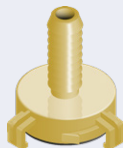
## COMPLETE ASSEMBLY



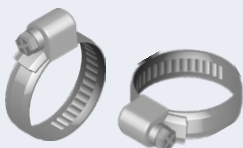
## ADDITIONAL EQUIPMENT



## ADDITIONAL EQUIPMENT



## ADDITIONAL EQUIPMENT



# HydroSure™

IRRIGATION SYSTEMS THAT WORK

[www.hydrosure.com](http://www.hydrosure.com)

