

HydroSure

IRRIGATION SYSTEMS THAT WORK

50m Heavy Duty Wall Mounted Swivel Hose Reel

www.hydrosure.com

40229382



5 056287 729382 >

COMPONENTS INCLUDED



A



x1

Hose Reel

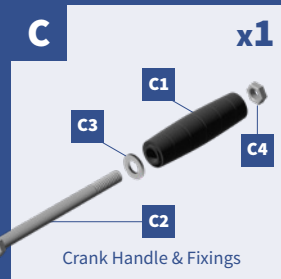
B



x1

Mounting Bar & Fixings

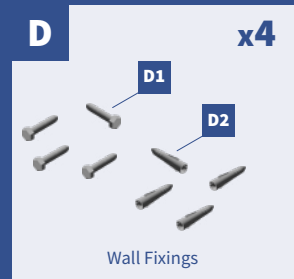
C



x1

Crank Handle & Fixings

D



x4

Wall Fixings

E



x1

Leader Hose

Tools Required

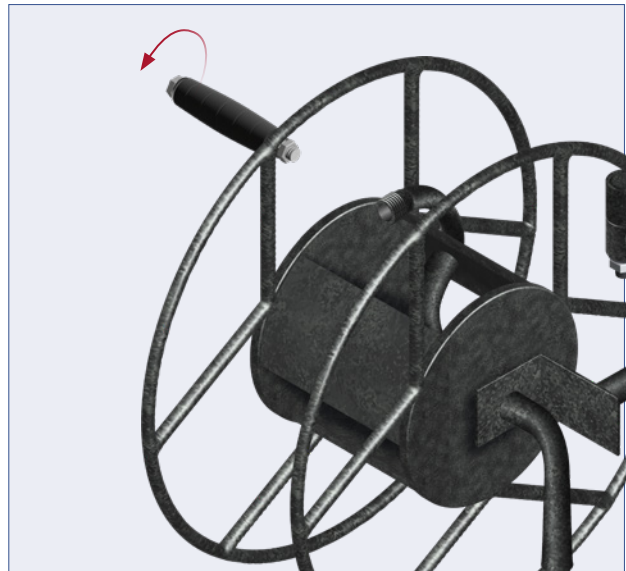


Adjustable Spanner, Electric Drill and 3/8" (9.5mm) Drill Attachment

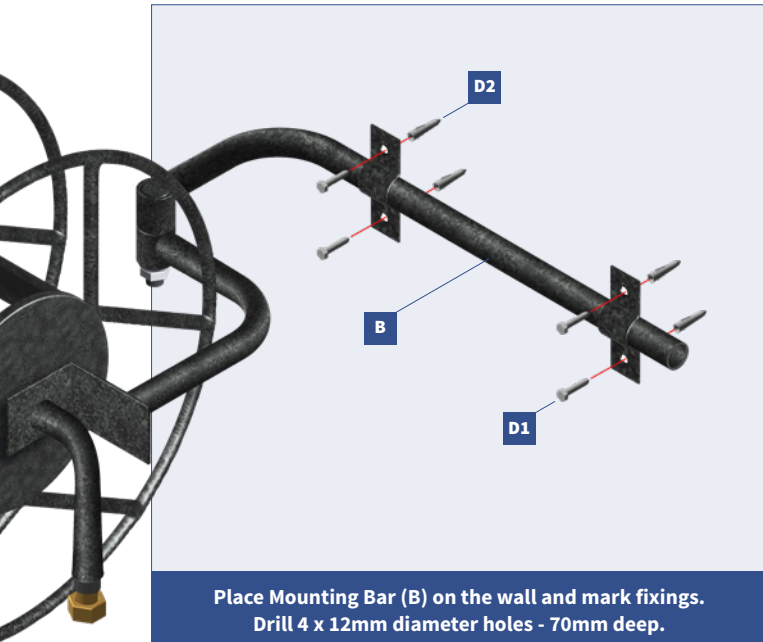
ASSEMBLY INSTRUCTIONS



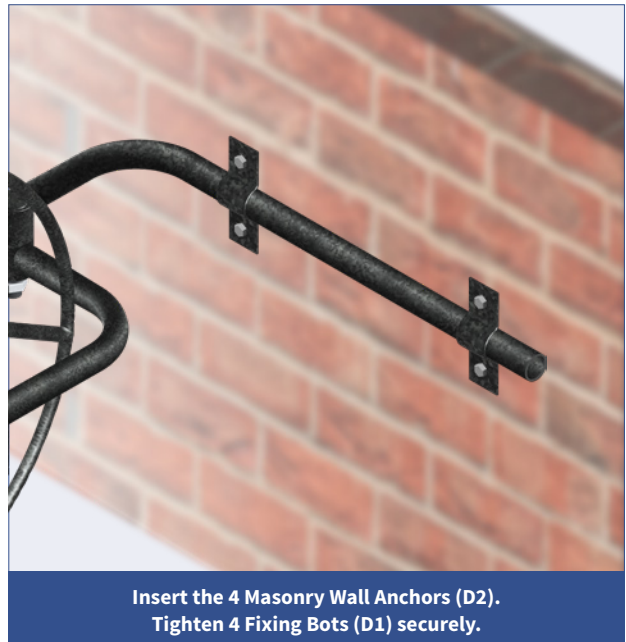
Mount the Crank Handle (C1) on to the Hose Reel (A) using the Through Bolt (C2), Washer (C3) and Nut (C4).



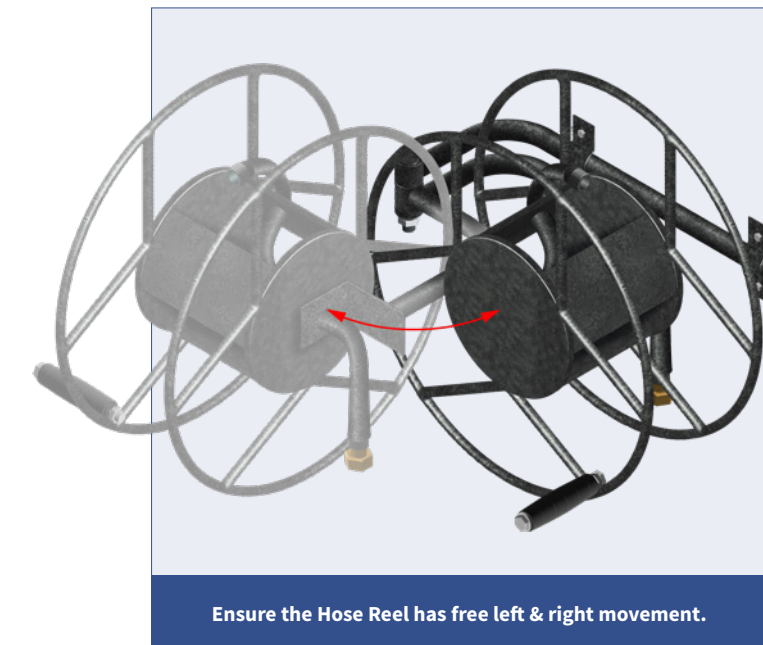
Ensure the Crank Handle (C1) rotates before securely tightening Nut (C4).



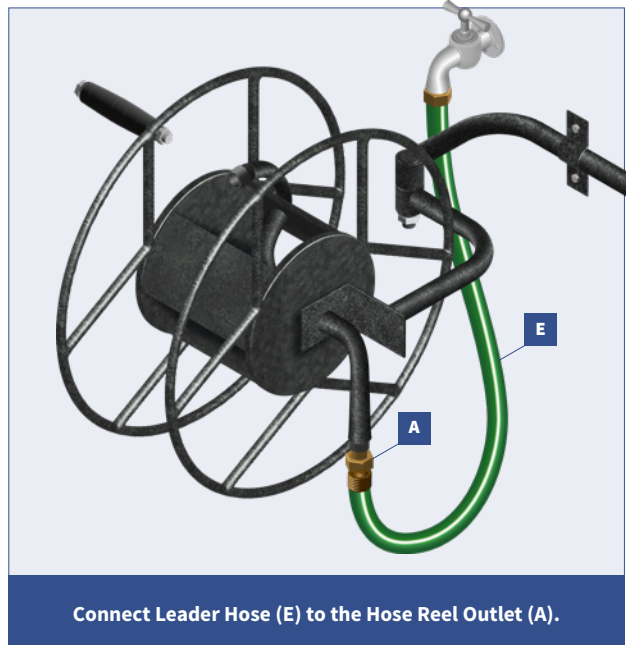
Place Mounting Bar (B) on the wall and mark fixings.
Drill 4 x 12mm diameter holes - 70mm deep.



Insert the 4 Masonry Wall Anchors (D2).
Tighten 4 Fixing Bolts (D1) securely.

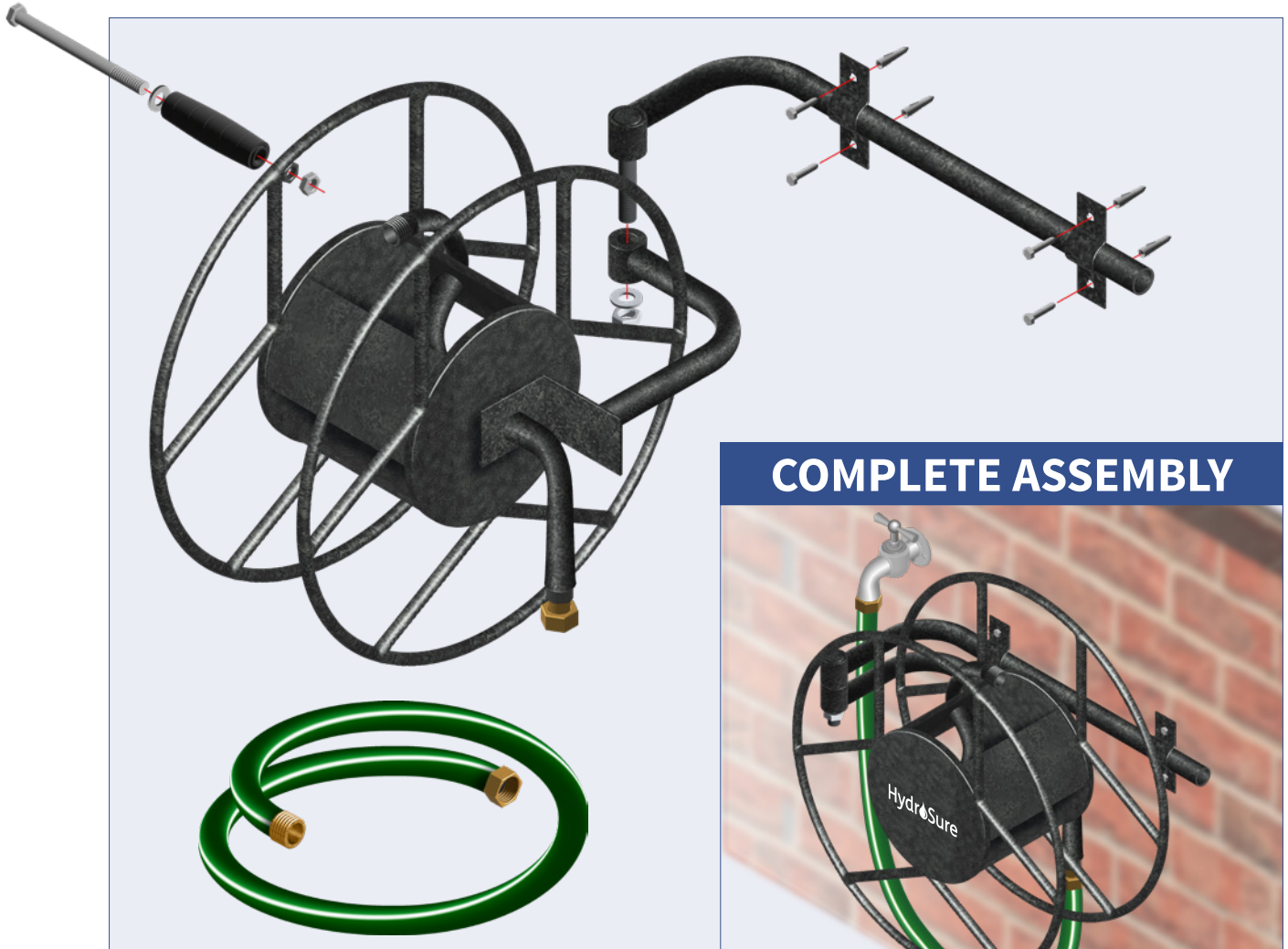


Ensure the Hose Reel has free left & right movement.



Connect Leader Hose (E) to the Hose Reel Outlet (A).

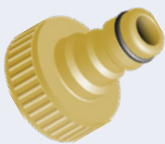
50m HEAVY DUTY WALL MOUNTED SWIVEL HOSE REEL



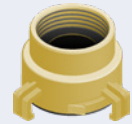
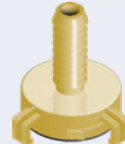
COMPLETE ASSEMBLY



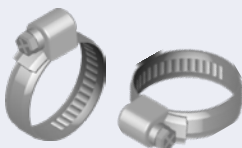
ADDITIONAL EQUIPMENT



ADDITIONAL EQUIPMENT



ADDITIONAL EQUIPMENT



HydroSure

IRRIGATION SYSTEMS THAT WORK

www.hydrosure.com

