

# HydroSure™

IRRIGATION SYSTEMS THAT WORK

## Complete 10 Micro Spray Irrigation System

(25m Pipe - 13mm Internal / 16mm External)

[www.hydrosure.com](http://www.hydrosure.com)

MMSK\_KP-INSTRUCTION



5 056287 719659 >

### PLANNING



### COMPONENTS INCLUDED

<b>A</b>  x1	<b>B</b>  x1	<b>C</b>  x12 x10 x6 x4	<b>D</b>  x2
<b>E</b>  x50	<b>F</b>  x2 360°	<b>G</b>  x8 180°	Things you might need 

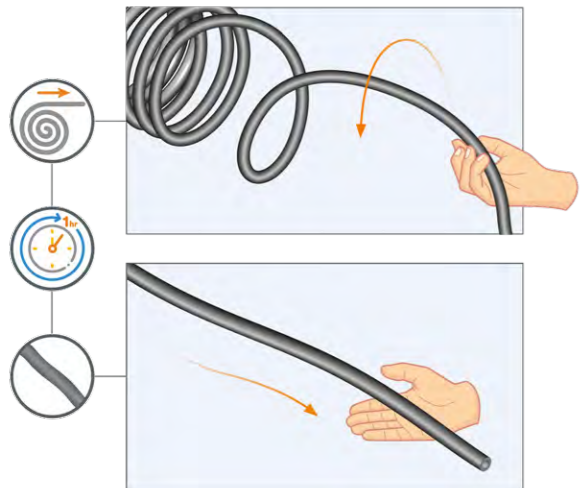
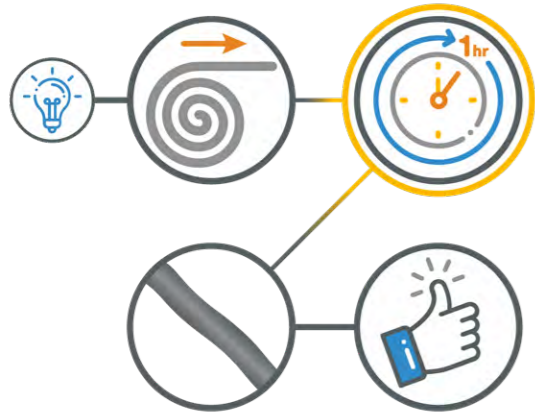
### INSTALLATION



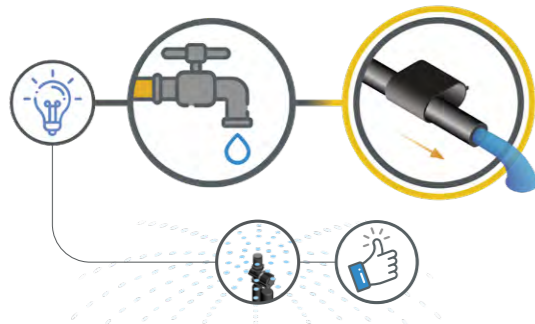
			
			
			

# HELPFUL HINTS

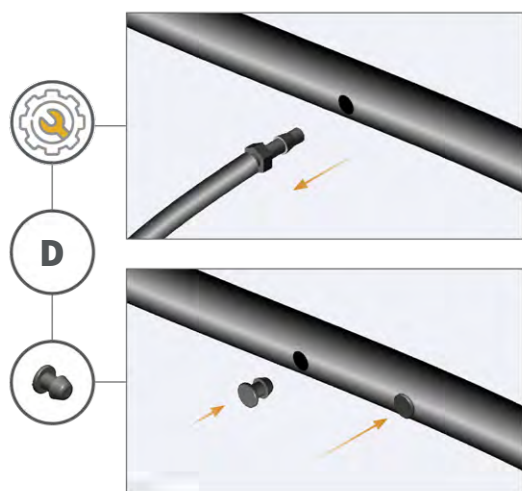
## UNRAVEL



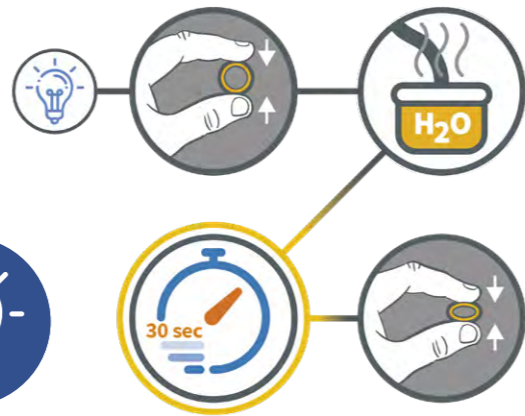
## FLUSHING SYSTEM



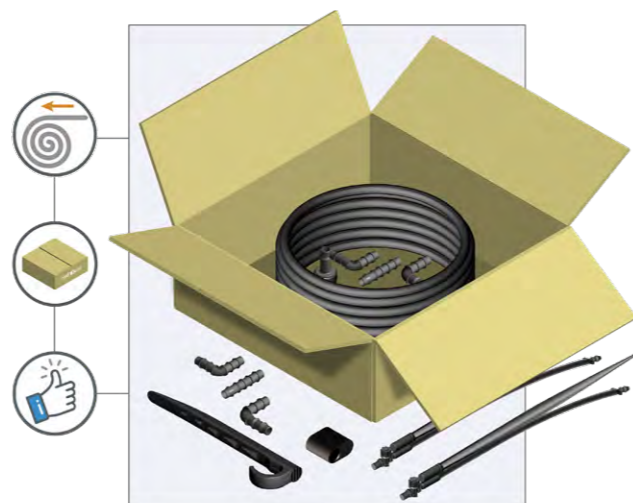
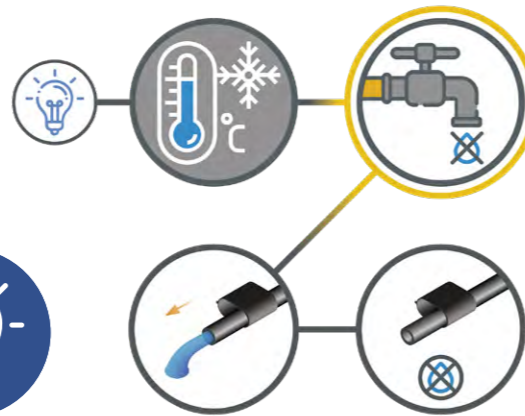
## HOLE PLUGGING



## INSTALLATION



## WINTERISING



# ADDITIONAL EQUIPMENT



# EXTEND YOUR SYSTEM



**HydroSure**<sup>TM</sup>  
IRRIGATION SYSTEMS THAT WORK