

HydroSure™

IRRIGATION SYSTEMS THAT WORK

Complete 5 Micro Spray Irrigation System

(15m Pipe - 13mm Internal / 16mm External)

www.hydrosure.com

SMSK_KP-INSTRUCTION



5 056287 719642 >

PLANNING



COMPONENTS INCLUDED

<p>A x1</p>	<p>B x1</p>	<p>C x6</p>	<p>D x2</p>
<p>E x25</p>	<p>F x1</p>	<p>G x4</p>	<p>Things you might need</p>

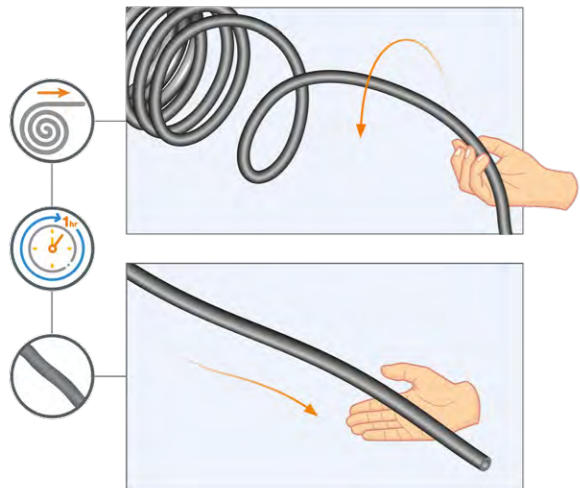
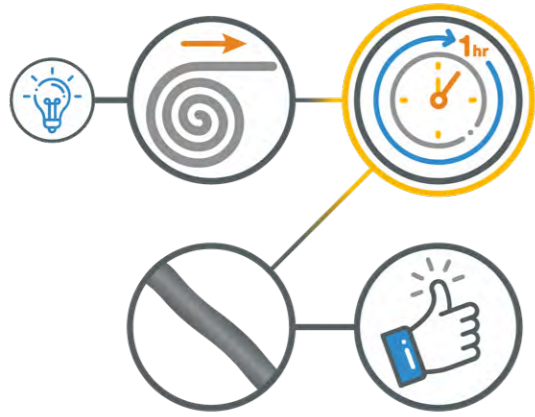
INSTALLATION

8.2m-0m Dia.

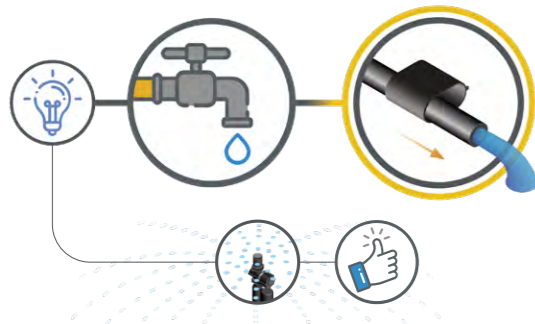
3m-0m Rad.

HELPFUL HINTS

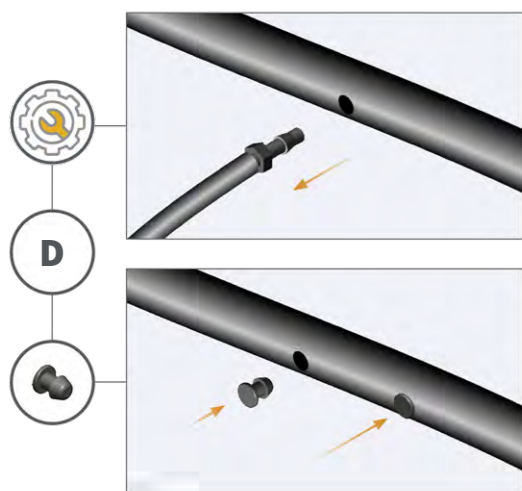
UNRAVEL



FLUSHING SYSTEM



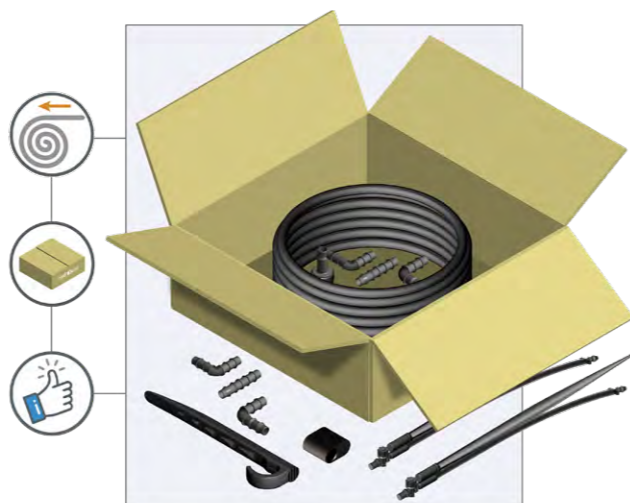
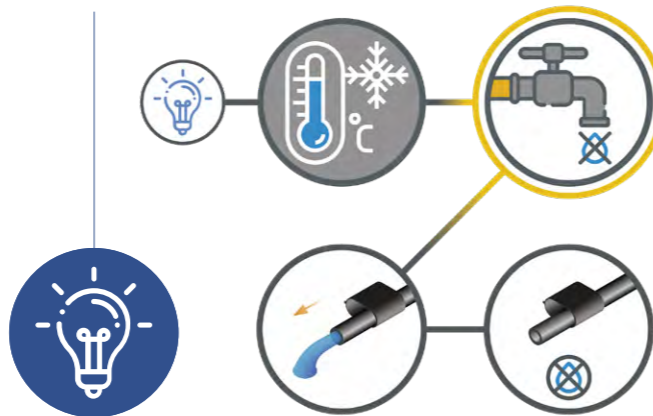
HOLE PLUGGING



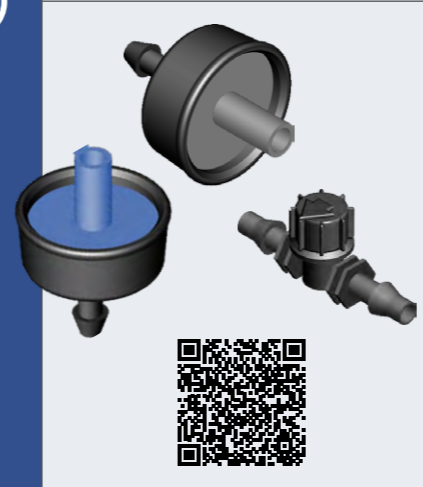
INSTALLATION



WINTERISING



ADDITIONAL EQUIPMENT



EXTEND YOUR SYSTEM



HydroSureTM
IRRIGATION SYSTEMS THAT WORK