

PLANNING

HydroSure™

IRRIGATION SYSTEMS THAT WORK

Complete 25m Drip Line Irrigation Nut Lock System

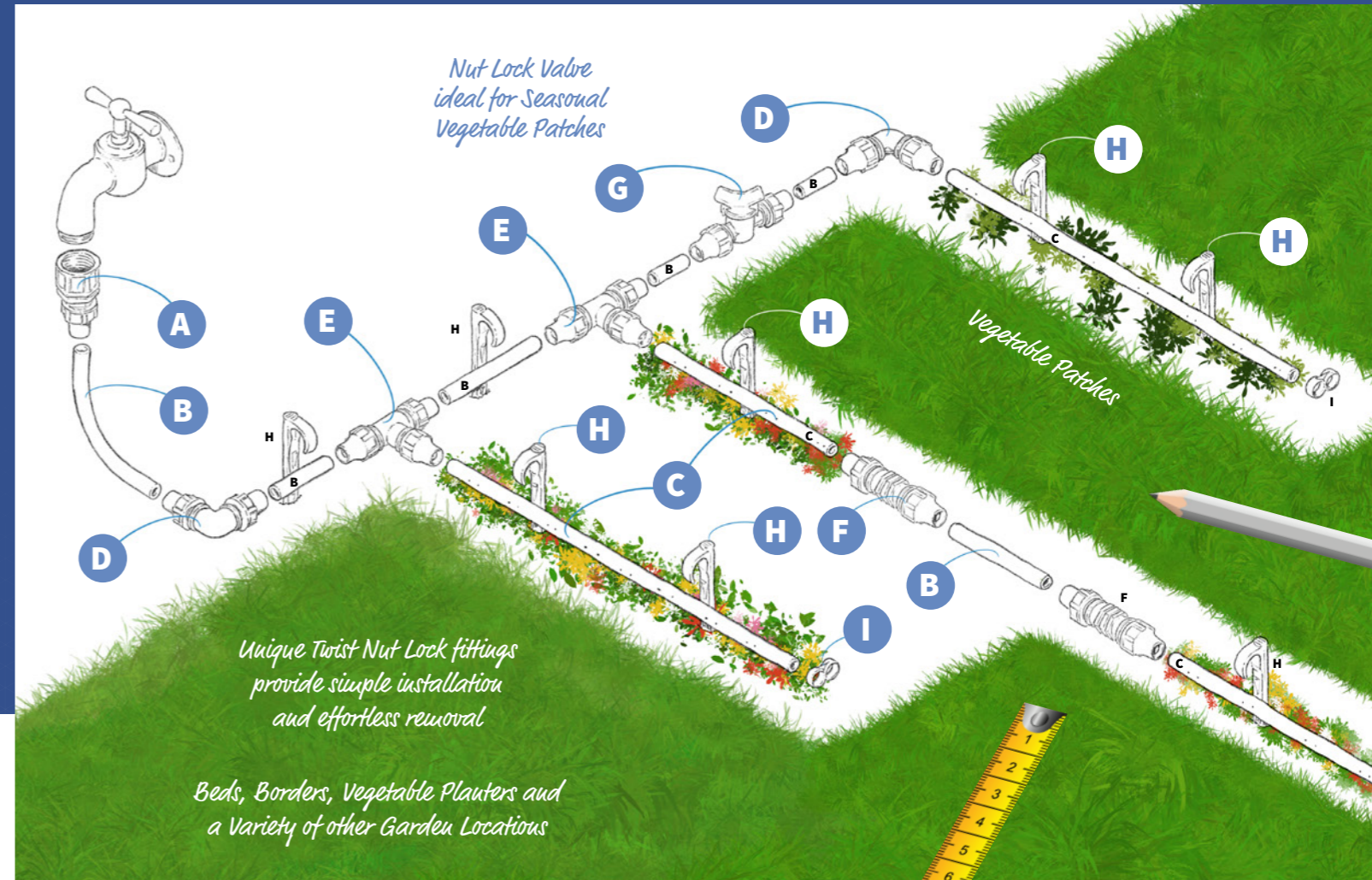
(13mm Internal / 16mm External)
25M Pressure Compensating Drip Line
15M - LDPE Supply Pipe

www.hydrosure.com

DRIPLINENUTLOCK25_KP-INSTRUCTION



5 056287 722420 >



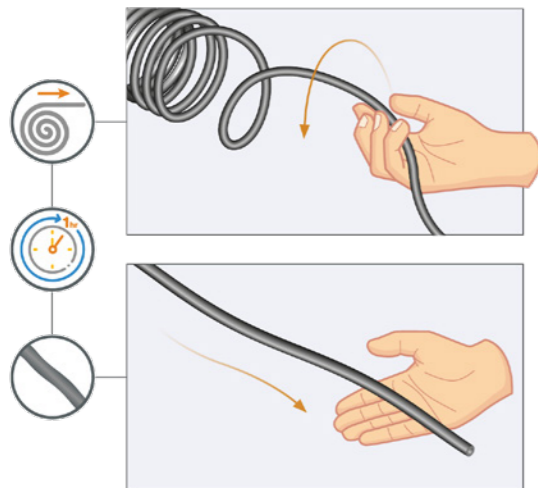
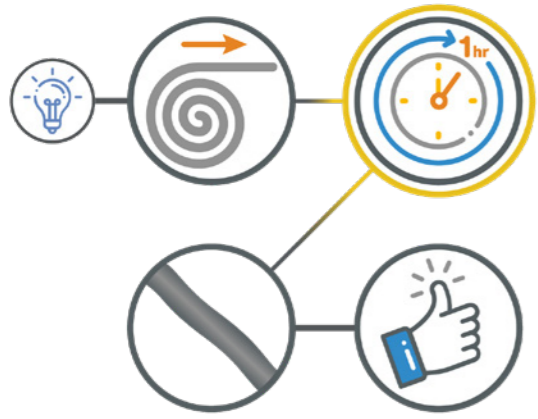
COMPONENTS INCLUDED

A  x1	B  x1	C  x1	D  x4
E  x2	F  x2	G  x2	H  x20
I  x10	J  x1	Things you might need   	

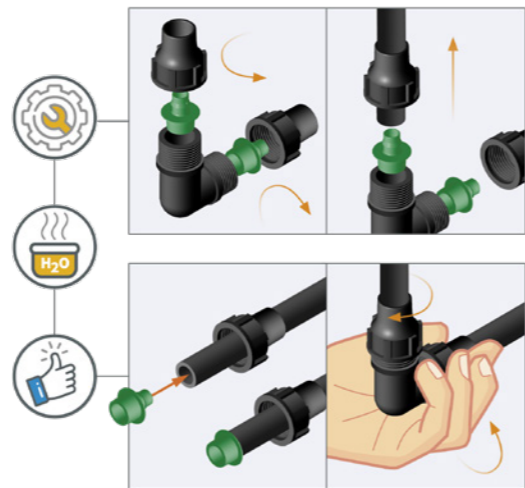
INSTALLATION

HELPFUL HINTS

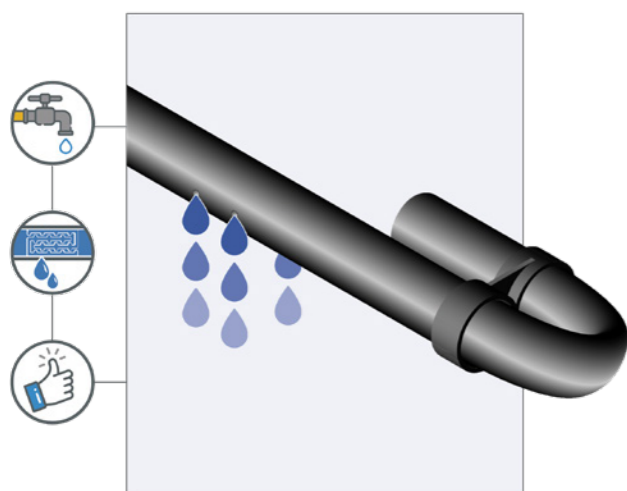
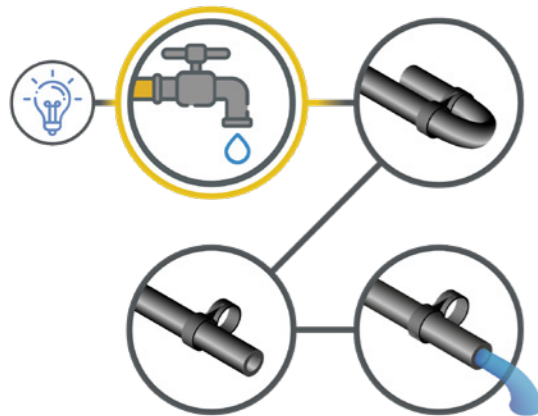
UNRAVEL



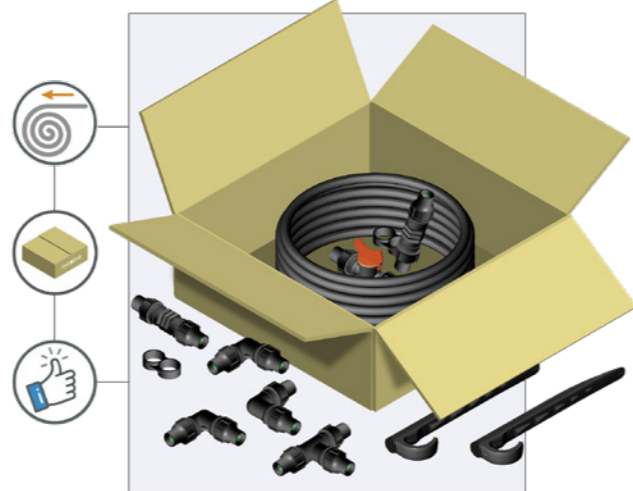
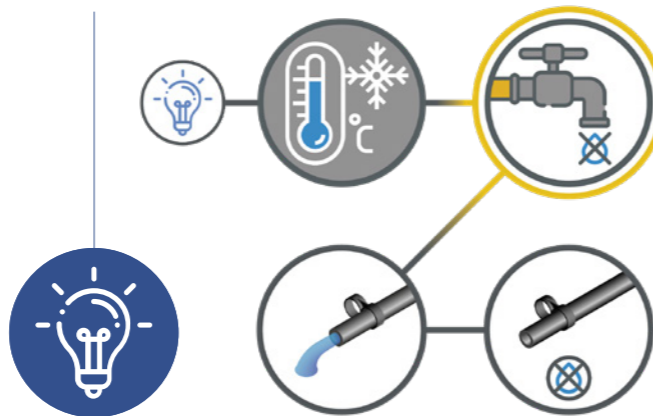
INSTALLATION



FLUSHING SYSTEM



WINTERISING



ADDITIONAL EQUIPMENT



EXTEND YOUR SYSTEM



HydroSureTM
IRRIGATION SYSTEMS THAT WORK