

# HydroSure™

IRRIGATION SYSTEMS THAT WORK

## Ultimate 75 Pot Drip Irrigation System

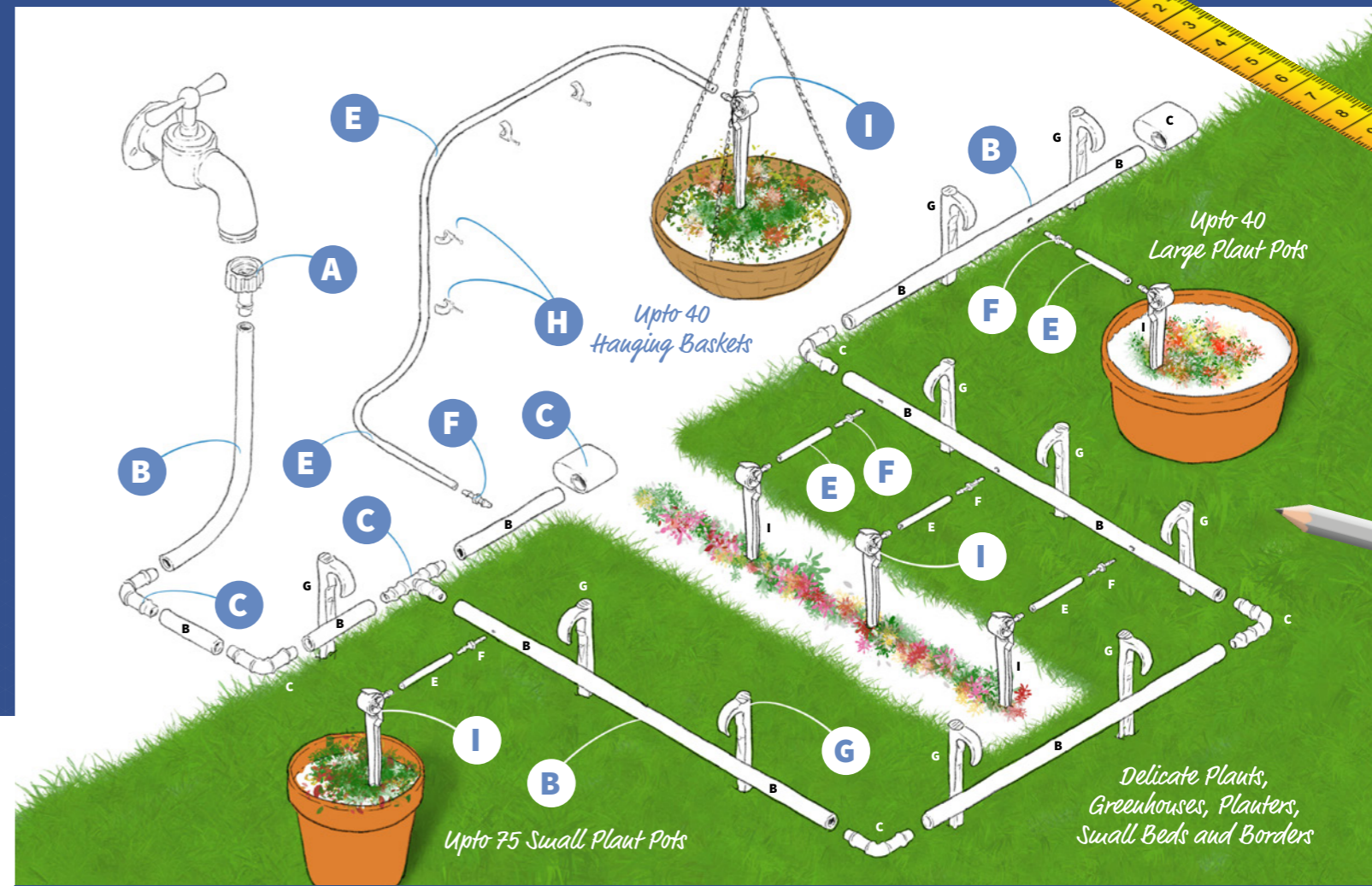
(13mm Internal / 16mm External - 50m LDPE Pipe)  
(4mm Internal / 6mm External - 35m LDPE Pipe)

[www.hydrosure.com](http://www.hydrosure.com)

ULTIMATEDRIP75-INSTRUCTION



### PLANNING



### COMPONENTS INCLUDED

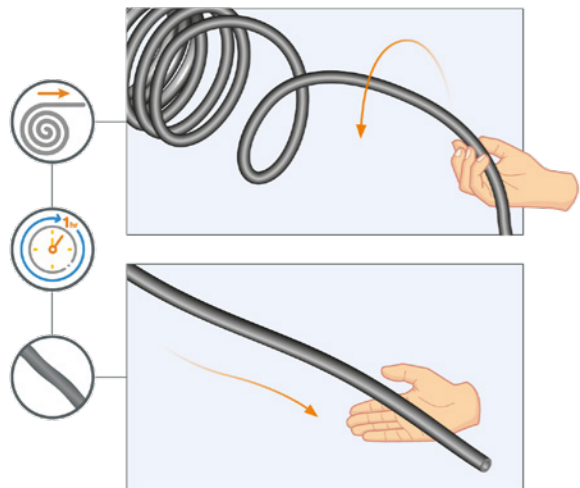
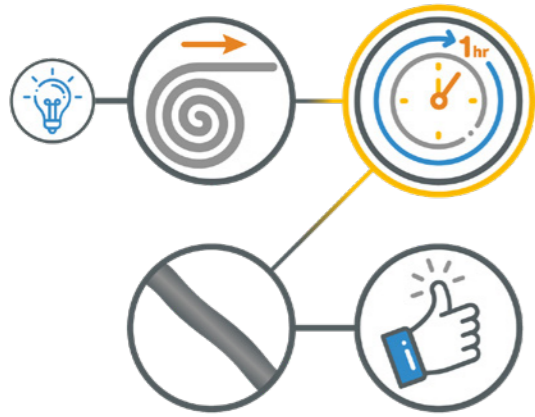
<b>A</b> x1	<b>B</b> x1	<b>C</b> x12 x10 x6 x4	<b>D</b> x1
<b>E</b> x1	<b>F</b> x100	<b>G</b> x60	<b>H</b> x20
<b>I</b> x75	<b>J</b> x2	Things you might need 	

### INSTALLATION



# HELPFUL HINTS

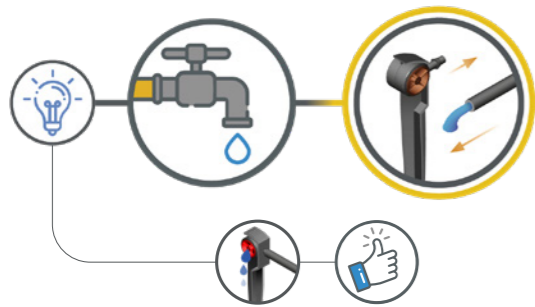
## UNRAVEL



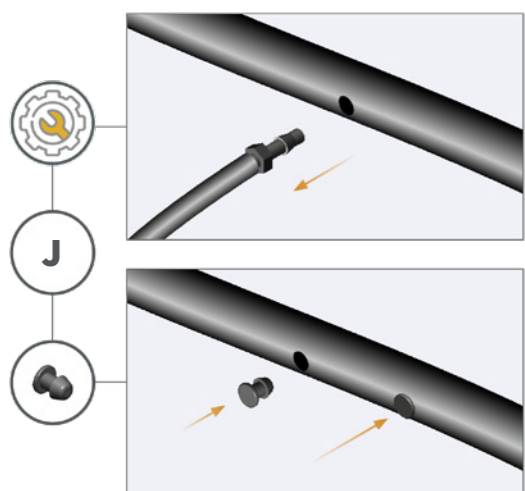
## INSTALLATION



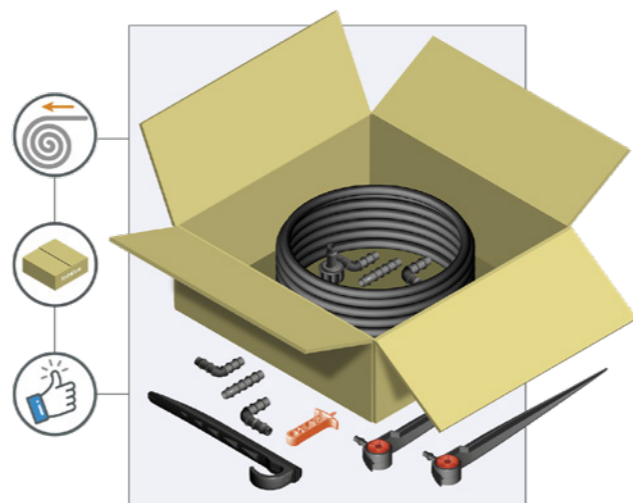
## FLUSHING SYSTEM



## HOLE PLUGGING



## WINTERISING



# ADDITIONAL EQUIPMENT



# EXTEND YOUR SYSTEM



# HydroSure™

IRRIGATION SYSTEMS THAT WORK