

# HydroSure™

IRRIGATION SYSTEMS THAT WORK

## Automated Complete 25 Pot Drip Irrigation System with Timer

(13mm Internal / 16mm External - 15m LDPE Pipe)  
(4mm Internal / 6mm External - 25m LDPE Pipe)

[www.hydrosure.com](http://www.hydrosure.com)

COMPLETEDRIP25-TIMER-INSTRUCTION

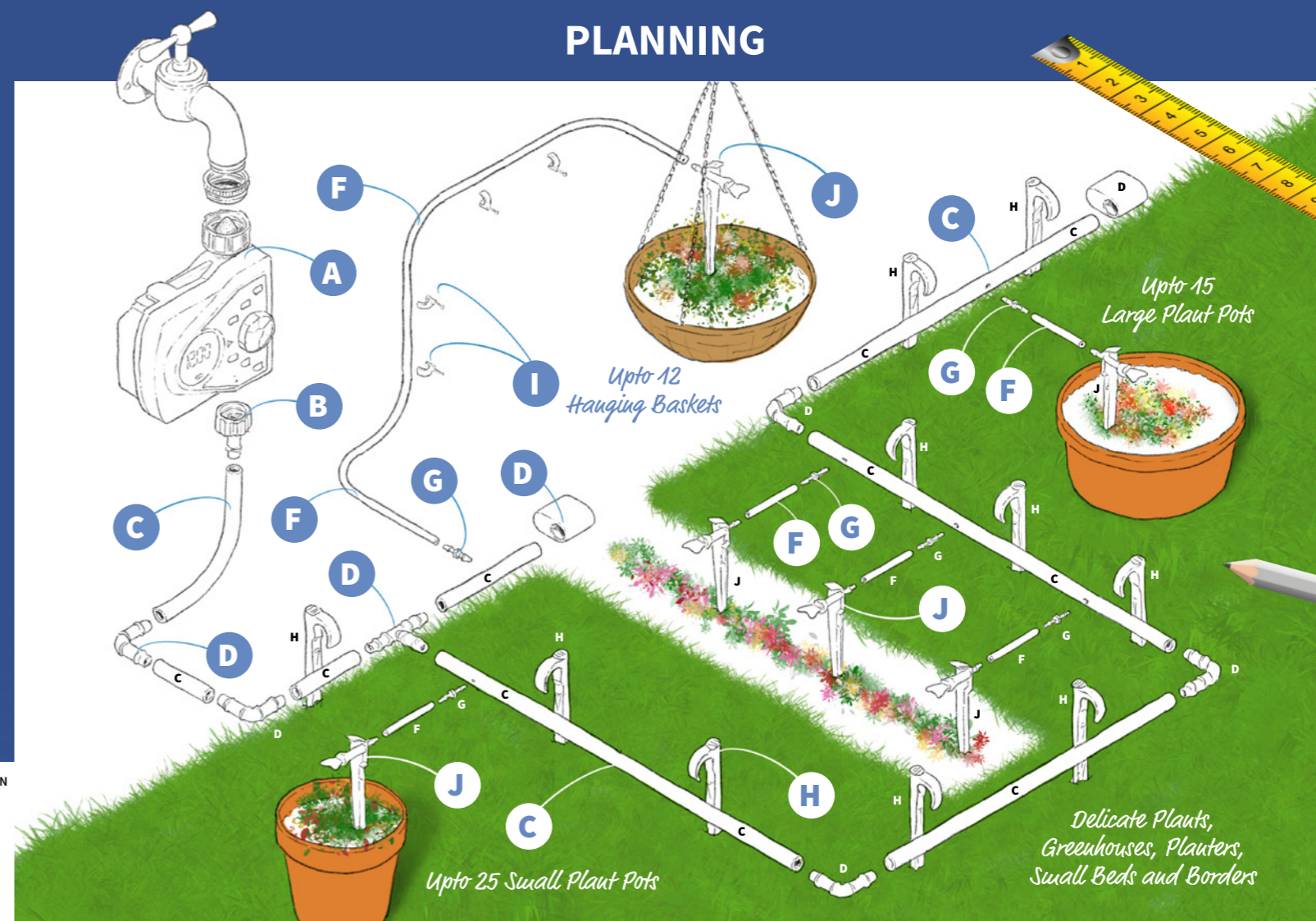


5 056287 719611 >

### COMPONENTS INCLUDED



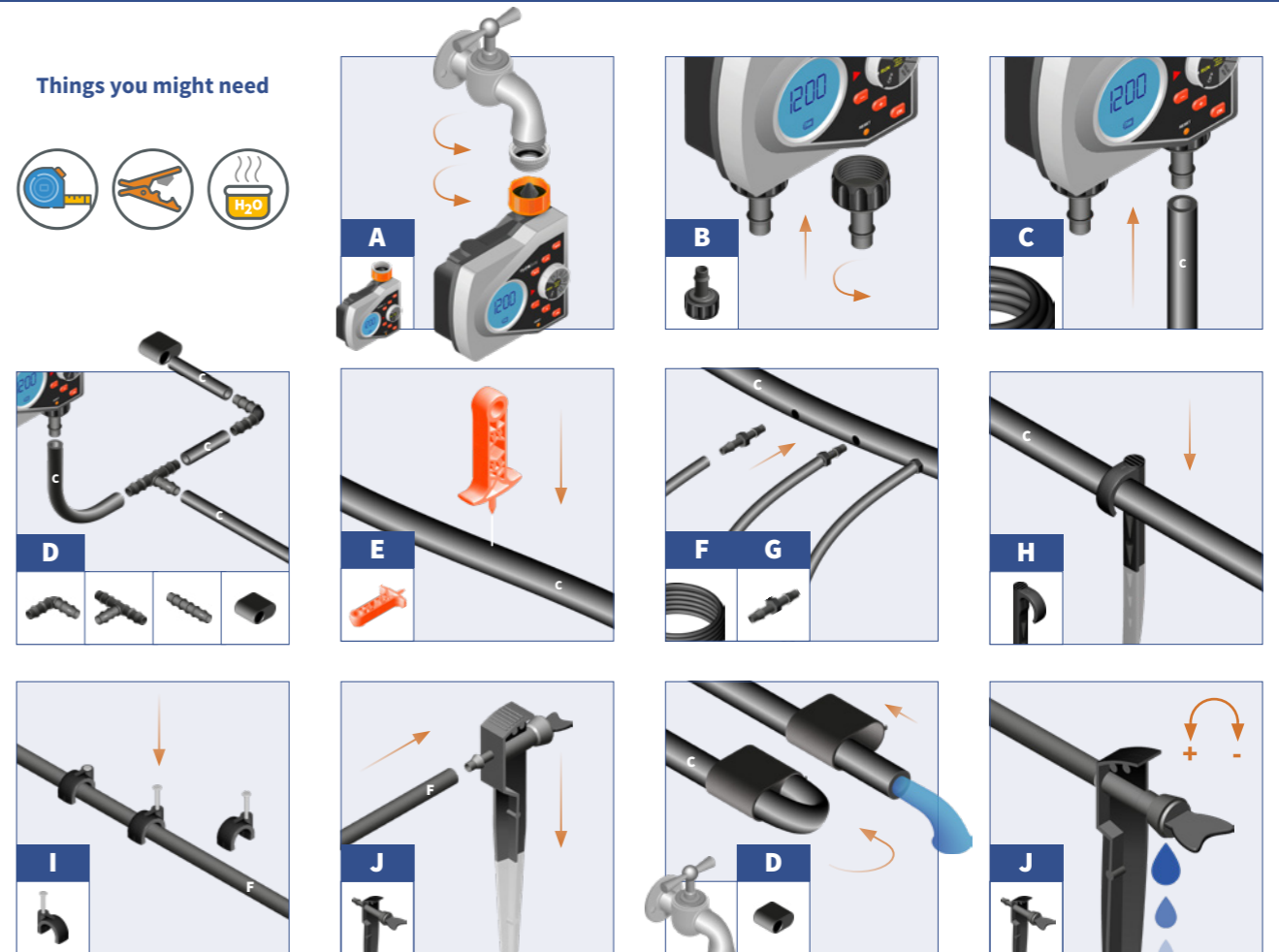
### PLANNING



### INSTALLATION

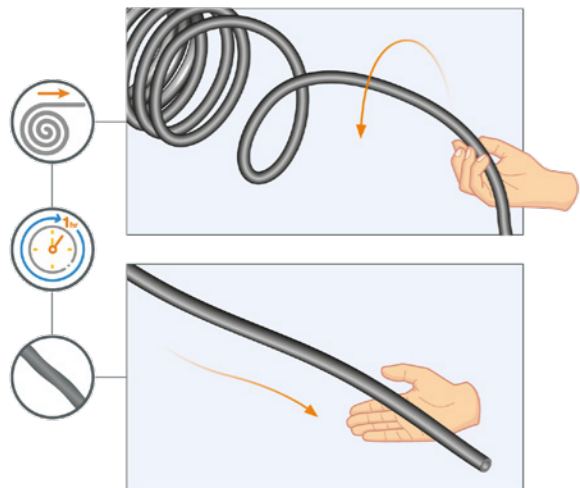
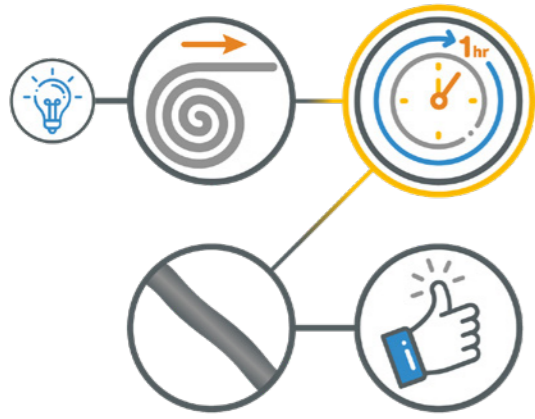


Things you might need

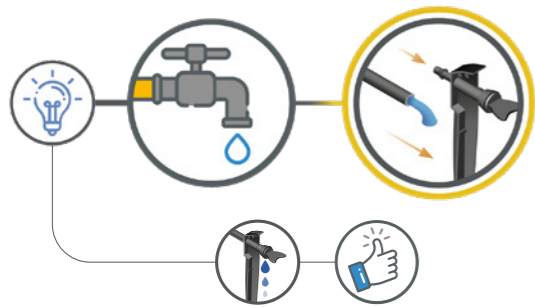


# HELPFUL HINTS

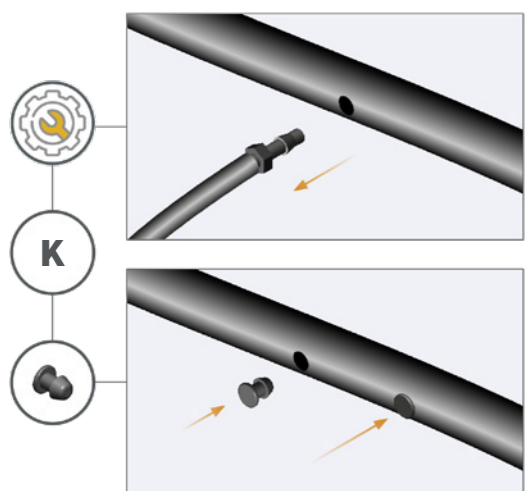
## UNRAVEL



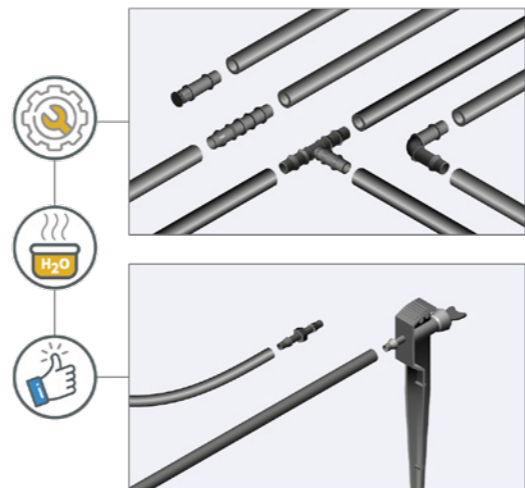
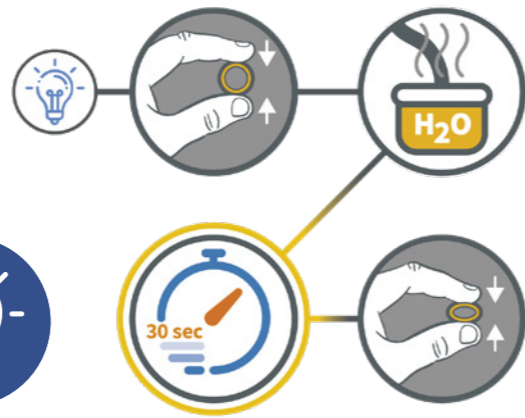
## FLUSHING SYSTEM



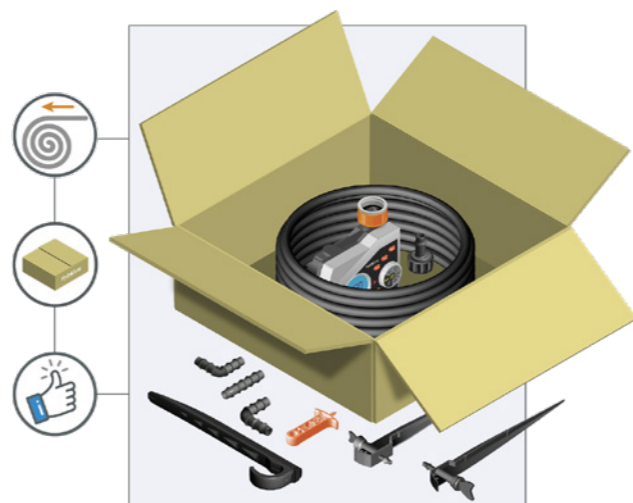
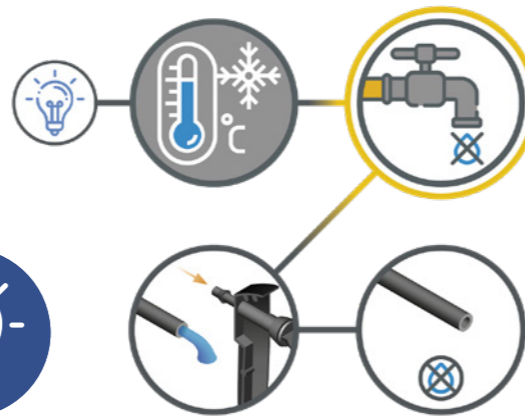
## HOLE PLUGGING



## INSTALLATION



## WINTERISING



# ADDITIONAL EQUIPMENT



# EXTEND YOUR SYSTEM



HydroSure™  
IRRIGATION SYSTEMS THAT WORK