

HydroSure™

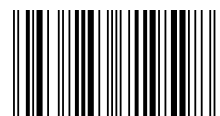
IRRIGATION SYSTEMS THAT WORK

Value 20 Pot Drip Irrigation System

(4mm Internal / 6mm External - 10m LDPE Pipe)

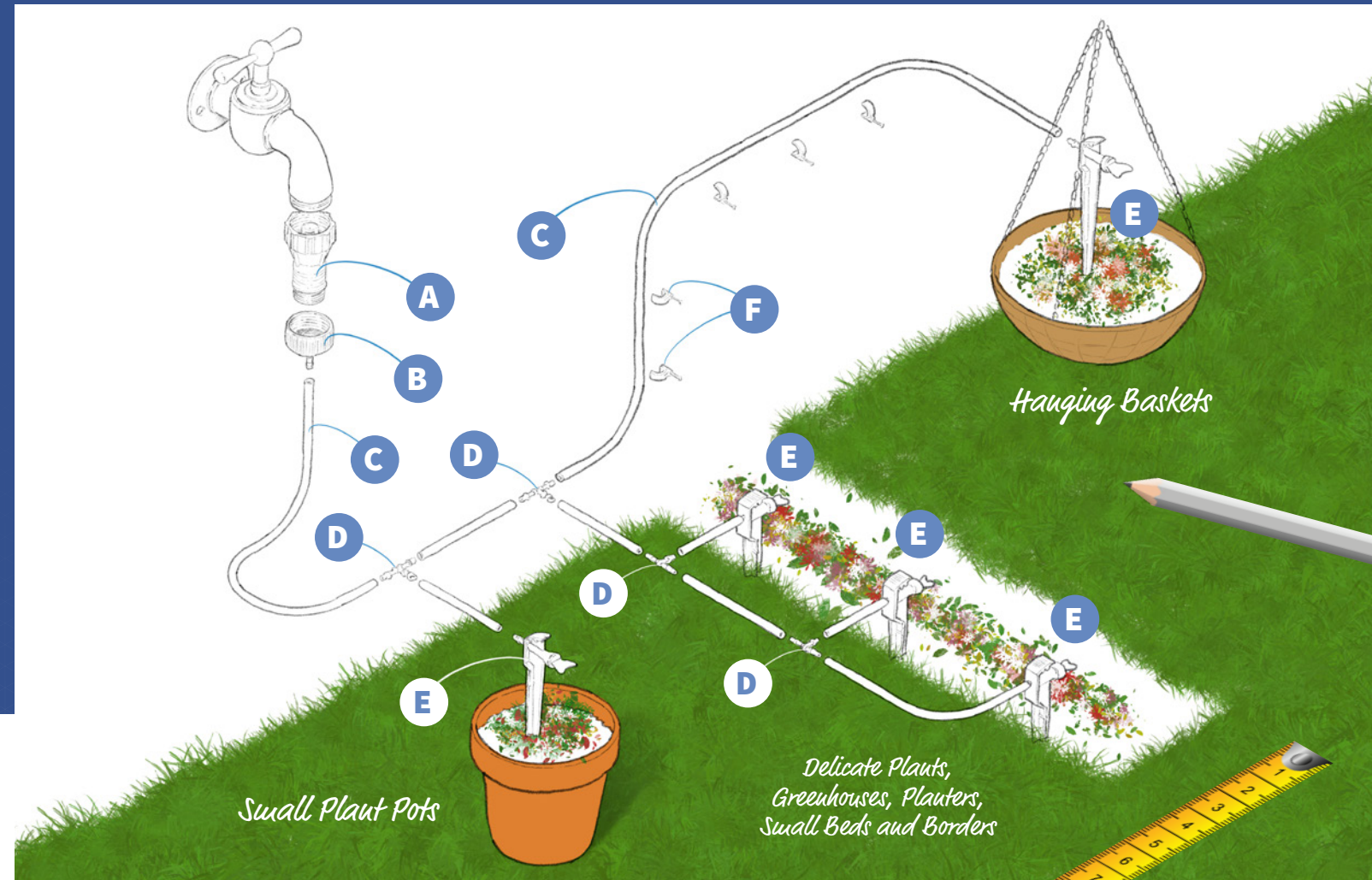
www.hydrosure.com

VALUEDRIP-INSTRUCTION



5 056287 719598 >

PLANNING



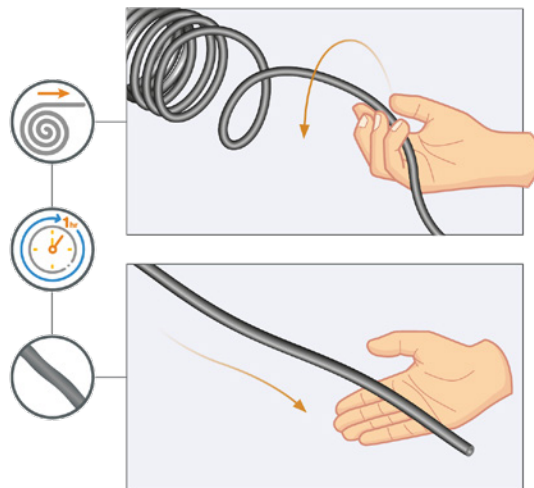
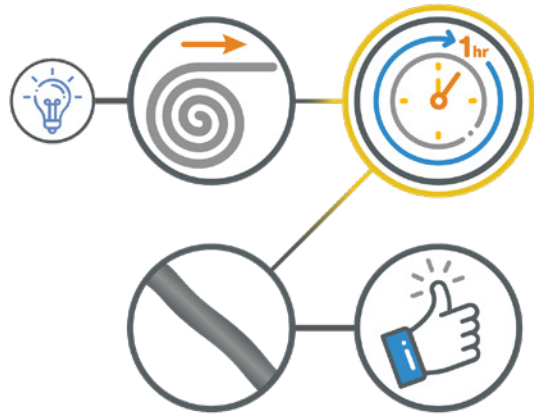
COMPONENTS INCLUDED

<p>A x1</p>	<p>B x1</p>	<p>C x1</p>
<p>D x20</p>	<p>E x20</p>	<p>Things you might need</p>
<p>F x10</p>		

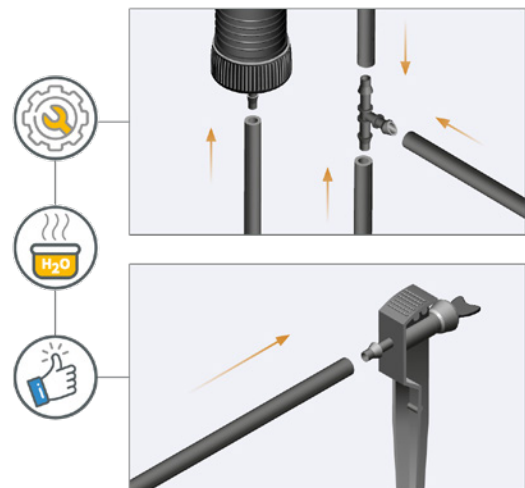
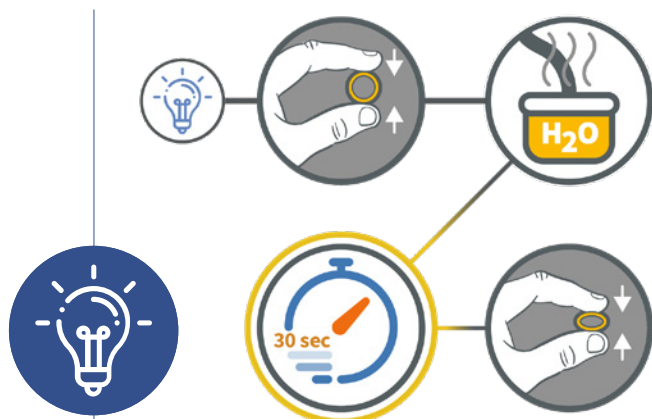
INSTALLATION

HELPFUL HINTS

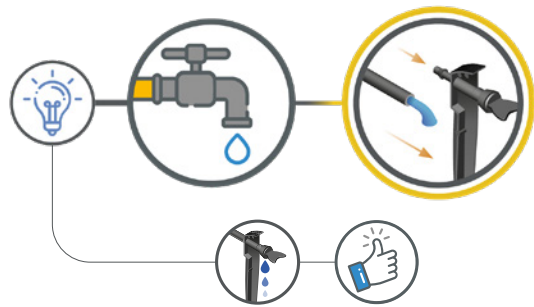
UNRAVEL



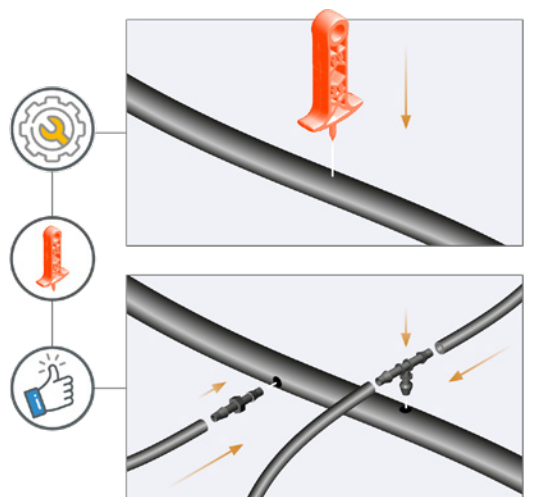
INSTALLATION



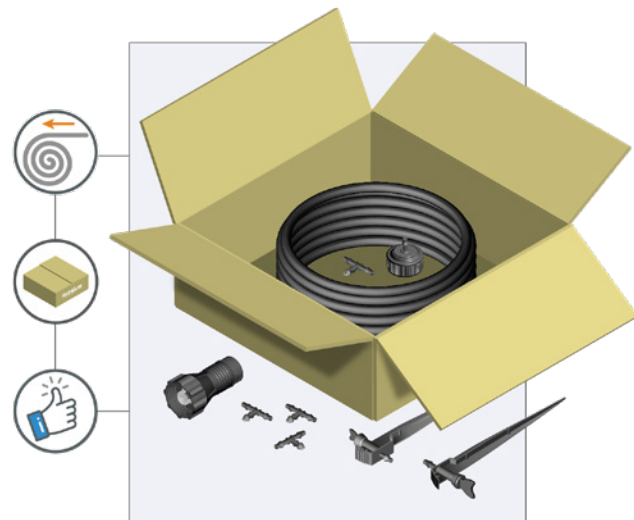
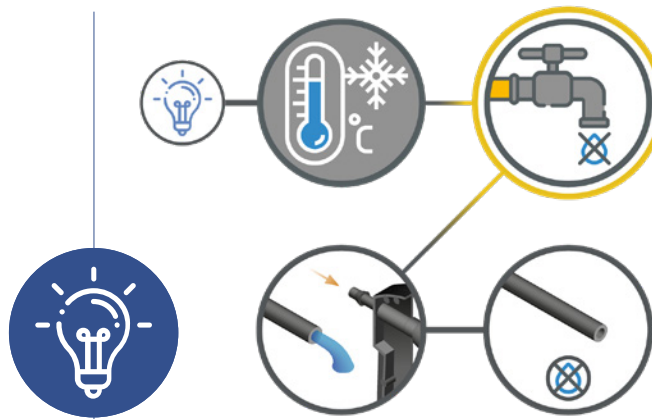
FLUSHING SYSTEM



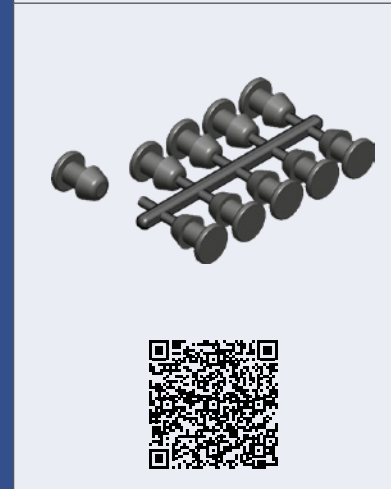
HOLE PUNCHING



WINTERISING



ADDITIONAL EQUIPMENT



EXTEND YOUR SYSTEM



HydroSure™

IRRIGATION SYSTEMS THAT WORK