

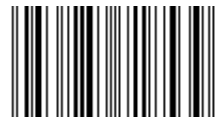
# HydroSure™

IRRIGATION SYSTEMS THAT WORK

## Ultimate 100m Soaker Hose Irrigation System - LDPE Pipe -

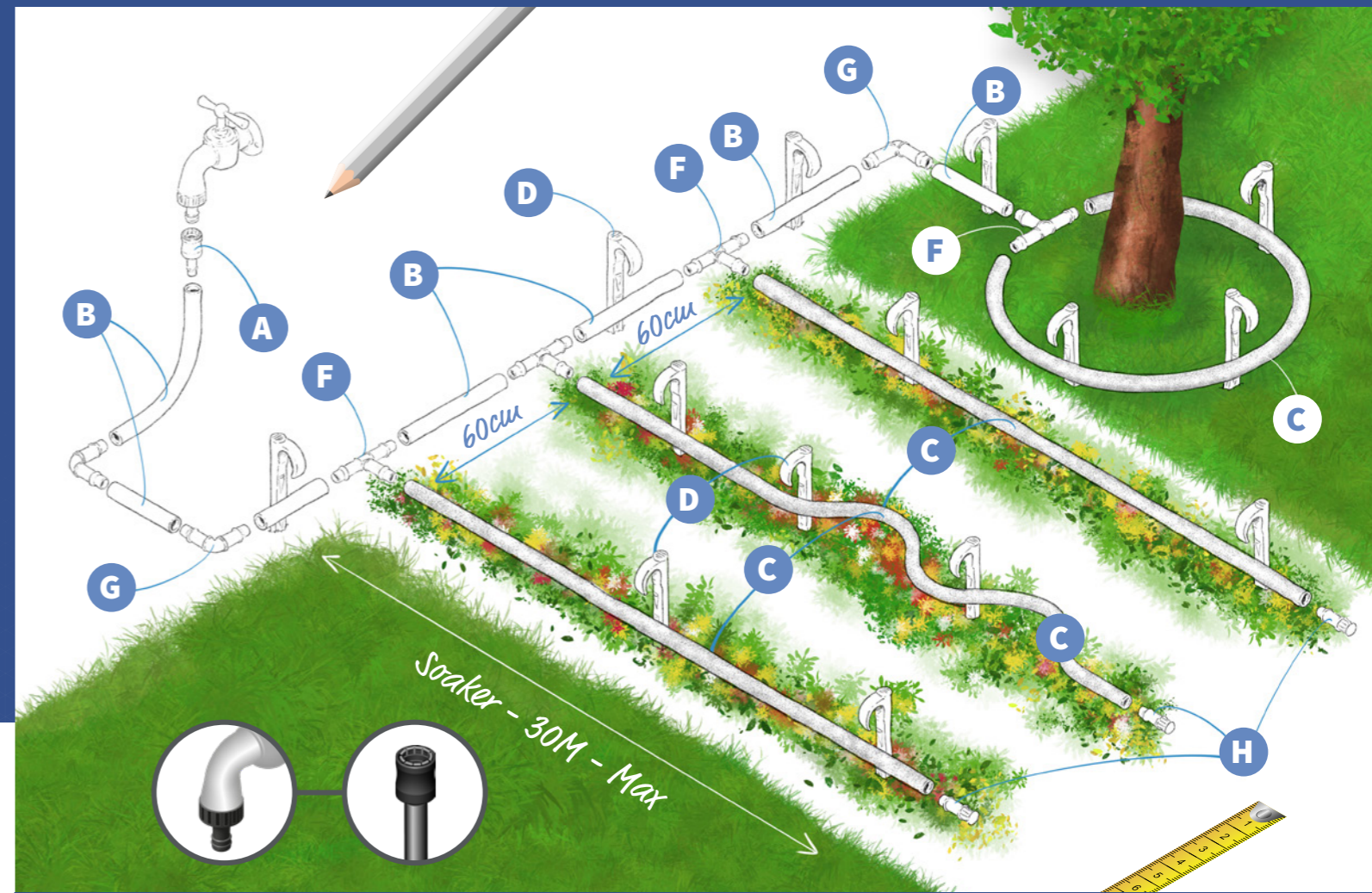
[www.hydrosure.com](http://www.hydrosure.com)

PL100LDPE-INSTRUCTION



5 056287 718539 >

### PLANNING



### COMPONENTS INCLUDED

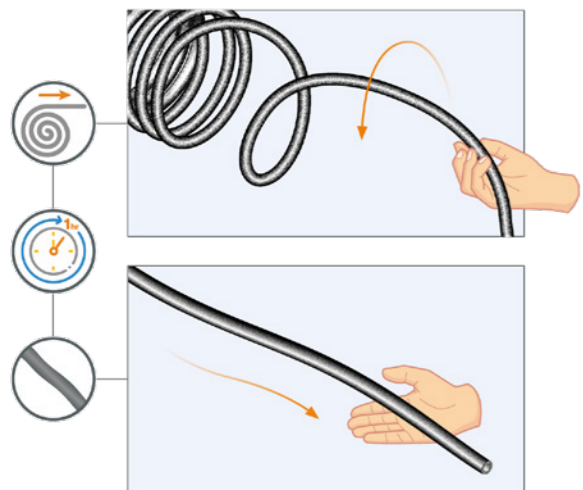
	<b>A</b> x2 	<b>B</b> x1 	<b>C</b> x1 	<b>D</b> x100 
<b>E</b> x8 	<b>F</b> x15 	<b>G</b> x18 		
<b>H</b> x12 	<b>I</b> x1 	<b>Things you might need</b>  		

### INSTALLATION

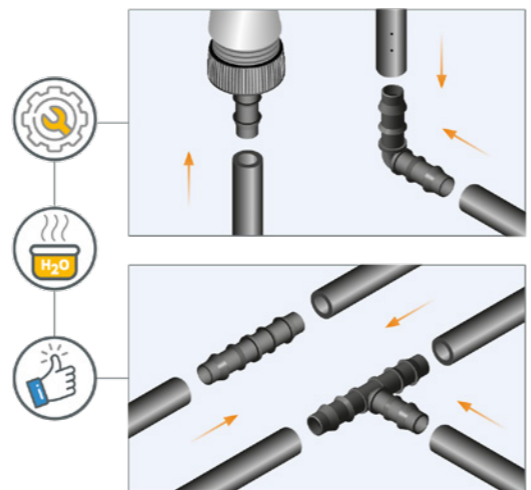
	 LDPE Pipe				

# HELPFUL HINTS

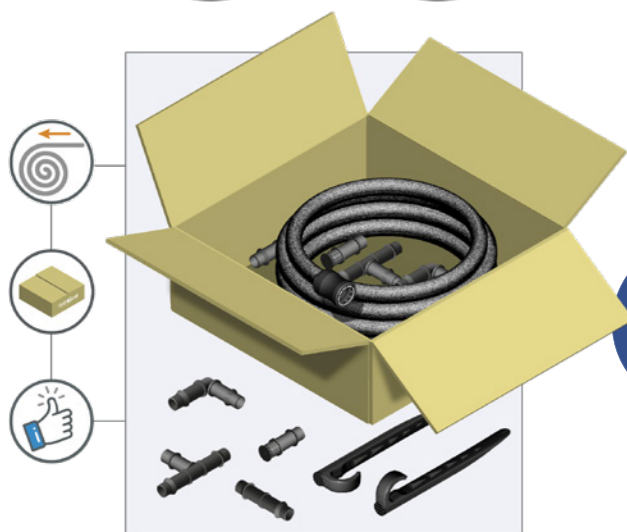
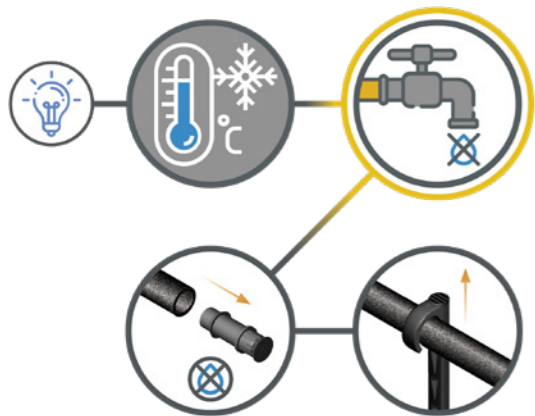
## UNRAVEL



## INSTALLATION



## FLUSHING SYSTEM



## SUPPLYING THE SYSTEM



View our website for ALL ranges  
[www.hydrosure.com](http://www.hydrosure.com)  
**How Does a Soaker Hose Work**



# ADDITIONAL EQUIPMENT

# EXTEND YOUR SYSTEM

# HydroSure™

IRRIGATION SYSTEMS THAT WORK

