

HydroSure™

IRRIGATION SYSTEMS THAT WORK

Ultimate 50m Soaker Hose Irrigation System - LDPE Pipe -

www.hydrosure.com

PL50LDPE-INSTRUCTION



PLANNING



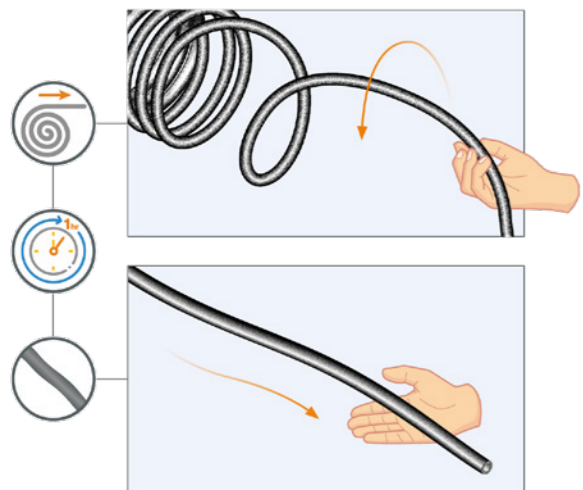
COMPONENTS INCLUDED

A x2	B x1	C x1	D x80
E x4	F x10	G x12	
H x6	I x1	Things you might need	

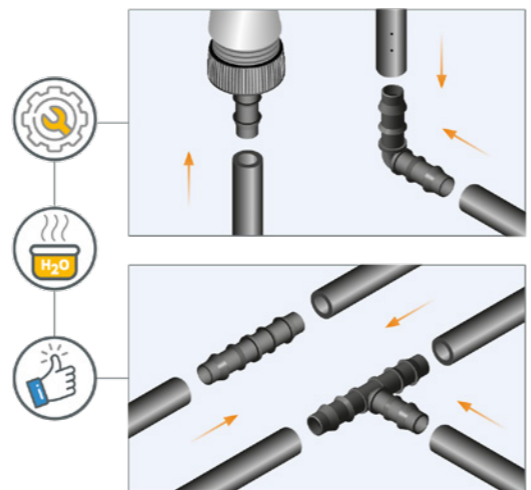
INSTALLATION

HELPFUL HINTS

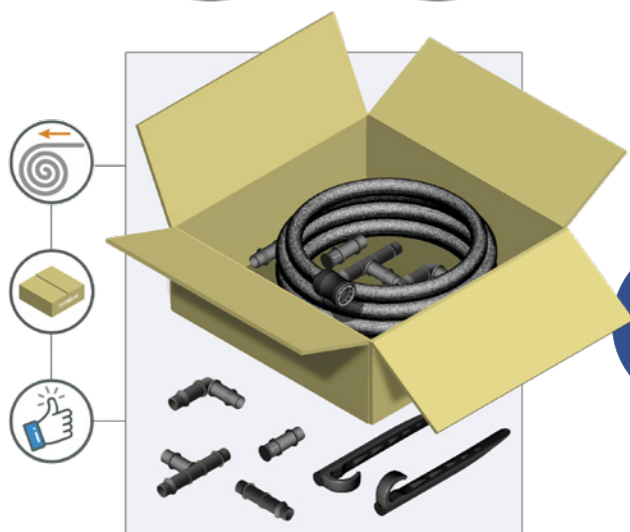
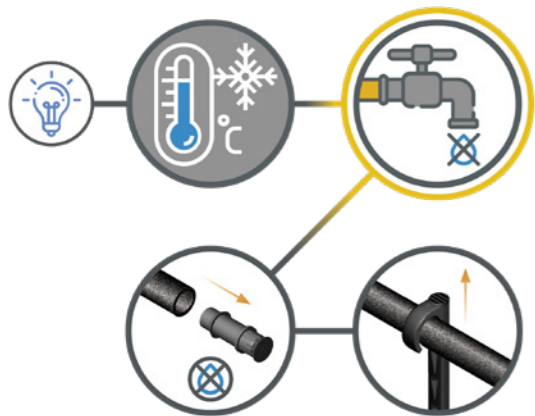
UNRAVEL



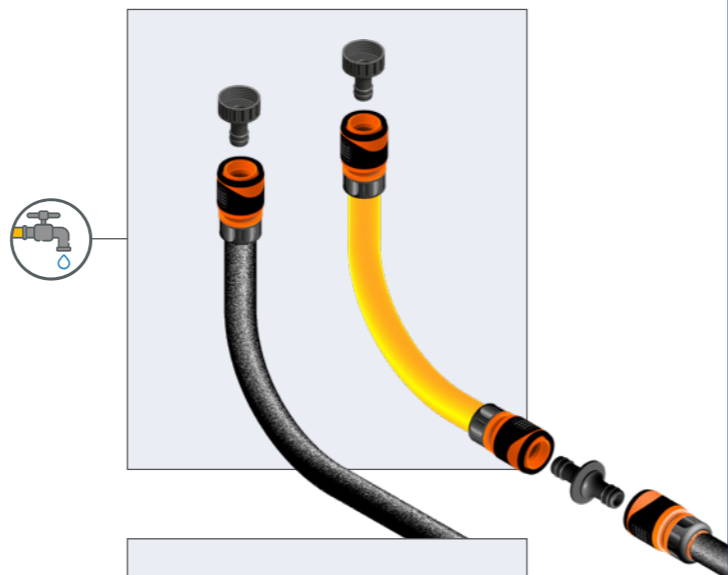
INSTALLATION



WINTERISING



SUPPLYING THE SYSTEM



View our website for ALL ranges
www.hydrosure.com
How Does a Soaker Hose Work

ADDITIONAL EQUIPMENT



EXTEND YOUR SYSTEM



HydroSure™

IRRIGATION SYSTEMS THAT WORK