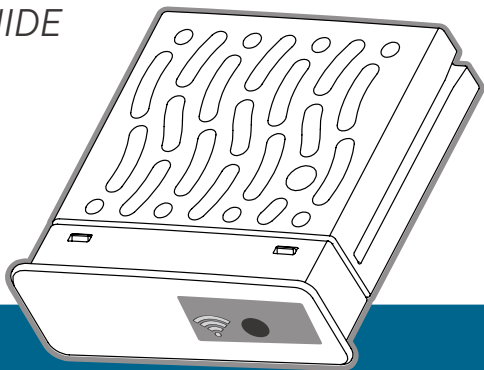


WAND MODULE FOR X2™ CONTROLLERS

QUICK START GUIDE

hydrawise.com
hunterindustries.com



Hunter®

Thank You for Purchasing a Hydrawise Compatible Device



The WAND module allows your X2 controller to connect to the internet via your Wi-Fi router. Once connected, you can access and manage the controller with your smartphone, tablet, or computer.

Need more helpful information on your product? Find tips on installation, controller programming, and more.



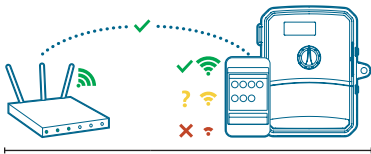
hunter.direct/wandhelp



1-800-733-2823

Step 1: Check the Wi-Fi Signal

Use your smartphone to check the signal strength for the desired Wi-Fi connection at the controller location. If the strength is poor the connection will not work. In this case, move the controller or router to improve the signal.

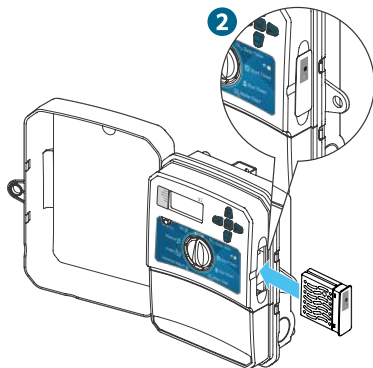
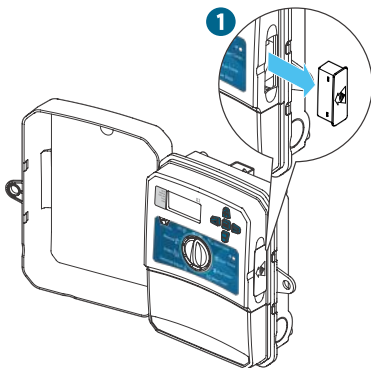


Important:

Obstructions such as interior walls and landscaping can block the signal.

Step 2: Installing the WAND Module

1. Remove the Wi-Fi cover from the X2 controller.
2. Insert the WAND module.



When installed, WAND disables the controller's dial and button functions, the existing schedule, and settings.

Manual operation functions such as Start/Stop Station and Test All Stations can still be activated from the controller.

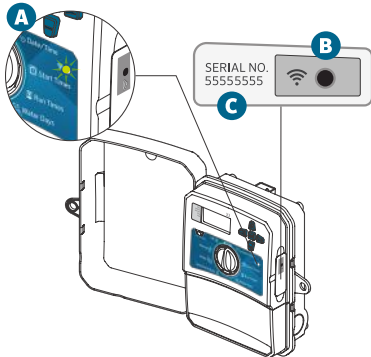
All programming is now managed via Hydrowise cloud-based software from a smartphone, tablet, or desktop browser.

Product Overview

Step 3: Navigating WAND with X2

Locate the following:

- A. Wi-Fi status LED
- B. Wi-Fi setup button
- C. WAND serial number



The serial number is used to enable Hydrawise management for the WAND. You will be prompted to enter the serial number during the online setup process when adding the controller to your Hydrawise account.

Leave the WAND module installed with the dial in the RUN position during setup to remain connected to Hydrawise software. If the WAND is removed, the controller will revert to the programs and settings configured via the dial and buttons.

To ensure the X2 controller operates with Hydrawise, you must have the dial in the Run position. The controller will not operate remotely if the dial is in any other position.

Step 4: Access Hydrawise Software

Download the Hydrawise app from the Apple® App Store or Google Play™ Store, or log on to hydravise.com.



hunter.direct/HydrawiseiOS



hunter.direct/HydrawiseAndroid



Step 5: Adding Your Controller

New Hydrawise account user:

1. Register for a new account in your app or at hydravise.com.
2. After you have registered, click the “Let’s Get Started” button in the email sent to your account.
3. Click the “Let’s Get Started” button again on your Hydrawise app or website screen.
4. Continue following all steps to add your X2 controller to your Hydrawise account and connect to Wi-Fi.


Existing Hydrawise account user:

1. Sign in to your Hydrawise app or website.
2. Navigate to “My Controllers” in the My Account drop-down menu.
3. Click the + icon under My Controllers list.
4. Continue following all steps to add your X2 controller to your Hydrawise account and connect to Wi-Fi.

Apple and the Apple logo are trademarks of Apple Inc., registered in the U.S. and other countries. App Store is a service mark of Apple Inc. Google, the Google logo, Android, and Google Play are trademarks of Google LLC.




Product Reset

Factory Reset WAND




1. Press and hold the WAND button for 5 seconds. “Fdr” (factory default reset) will appear on the controller LCD.
2. The module LED will turn off.
3. Release the button when the solid amber  LED appears and “done” displays on the controller LCD.
4. Return to the online setup wizard in your Hydrawise controller settings account page to reconnect the WAND to Wi-Fi.

Quick Troubleshooting Tips

Solid LED Color:

-  WAND is waiting for the user to add Wi-Fi credentials.
 -  Controller is Online and connected to the Hydrawise server.
 -  Incorrect Wi-Fi password entered or Wi-Fi network lost.
5. Be in range of Wi-Fi signal and verify with your smartphone.
 6. Verify correct Wi-Fi network name and password used.
 7. Verify Wi-Fi network is using 2.4 GHz and not 5 GHz.

Flashing LED Color:

-  1 blink, WAND is in Bluetooth® pairing mode.
-  2 blinks, WAND is in “SAP” (Soft Access Point) mode.
-  3 blinks, WAND is in “Pbc” router-supported (WPS) mode.

Refer to the online setup wizard for Wi-Fi instructions found in your Hydrawise controller settings account page.

The Bluetooth® word mark and logos are registered trademarks owned by Bluetooth SIG Inc. and any use of such marks by Hunter Industries is under license.

Helping our customers succeed is what drives us. While our passion for innovation and engineering is built into everything we do, it is our commitment to exceptional support that we hope will keep you in the Hunter family of customers for years to come.



Gregory R. Hunter, CEO of Hunter Industries



Gene Smith, President, Landscape Irrigation and Outdoor Lighting

HUNTER INDUSTRIES INCORPORATED | *Built on Innovation®*

1940 Diamond Street, San Marcos, California 92078, USA

hunterindustries.com

© 2019 Hunter Industries Inc. Hunter, the Hunter logo, and all other trademarks are property of Hunter Industries, registered in the U.S. and other countries.