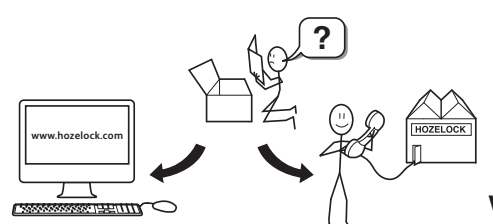



# HOZELOCK

2810

## Growbag Waterer



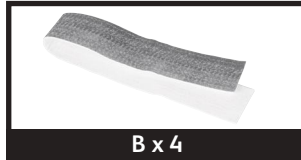
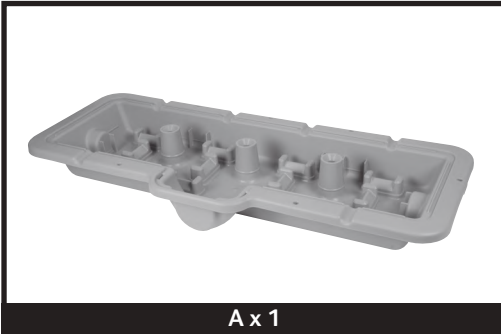
The diagram shows a customer service flow: a person is shown with a question mark, a computer monitor displaying 'www.hozelock.com', a person holding a box, and a person holding a phone next to a 'HOZELOCK' logo.



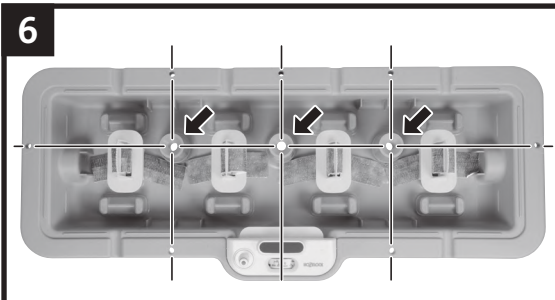
Three icons representing environmental sustainability: a recycling symbol, a tree, and a snowflake.

Hozelock Ltd.  
Midpoint Park, Birmingham,  
B76 1AB, England  
Tel: +44 (0) 121 313 1122  
[www.hozelock.com](http://www.hozelock.com)  
33894-000

# Contents



# Assembly



## Contents

- |                      |                            |
|----------------------|----------------------------|
| <b>A</b> Reservoir   | <b>B</b> Wick Material x 4 |
| <b>C</b> Filler Door | <b>D</b> Spikes x 4        |

\* Throw away the sachet of desiccant (silica gel) included with the packaging.

## Assembly and User Guide

- Thread wick material through spikes. (Repeat x 4) (Fig. 1)
- Push spikes into position on the reservoir. (Fig. 2)
- Insert filler door, by pushing firmly until you hear a click. (Fig. 3)
- Position your reservoir in a location that is stable and flat which is suitable for your plants. (Note due to the heavy weight it should not be moved once the set up is complete).
- Choose a good quality large grow bag.
- Familiarize yourself with the Growbag waterer planting tips. Agitate the grow bag until the compost has bulked up and is evenly spread within the bag.

**Important:** Put on Protective gardening gloves. Place grow bag on to the spikes so that the bag is positioned evenly above the reservoir. (Fig. 4)

- Push down on Grow Bag until spikes have fully pierced through the bottom of the bag. (Fig. 5)
- If your plants require support, it is a good idea to fit canes now (Fig. 6). Holes on the edge of the reservoir line up to show the position of the cane support holes.

**Tip:** Use the thin end of the cane to help locate hole, then turn the cane back round.

**Important:** Your cane should be no bigger than 15mm in diameter.

- You are now ready to plant.

## Planting Tips

### Planting tips

Plan where you are going to position your planter so that the plants have enough space to grow.

Only cut your hole in the growbag as big as it needs to be for planting so that the bag can still retain the compost without spilling out.

Press down on compost once planting is completed. Compost needs to be touching the wick to work properly.

Lightly water plants from above after planting to help give the plants a kick start and to settle the compost for the wick system.

Most plants can be grown in the Growbag Waterer, including:

- |                |              |
|----------------|--------------|
| • Tomatoes     | • Chillis    |
| • Strawberries | • Courgettes |
| • Lettuce      | • Herbs      |
| • Runner beans | • Peas       |
| • Peppers      | • Geraniums  |
| • Cucumber     | • Cabbage    |
| • Spinach      |              |

For more growing hints & tips visit [www.hozelock.com](http://www.hozelock.com)

## Filling the reservoir

The reservoir holds 15 litres of water and can be filled either with a watering can through the window on the filler door or with a hose pipe using a connector. The water level indicator wheel will move round as it is being filled. The reservoir is full when the Dial shows Max.

max

### When do I need to refill?

The water can be topped up at any time but should always be filled up again once you can see the tap and water drop on the wheel. (Fig. 7)



### How often do I refill?

This is dependent on where your planter is set up, the temperature, type of plants and the maturity of your plants. Check the water indicator regularly.

## Feeding your plants

Liquid feed can be added directly into the reservoir or into the compost once it has been premixed with water according to manufactures instructions.

## End of the growing season

The grow bag must be lifted off the reservoir, removing the watering spikes complete with wick material. Wash all components thoroughly and allow to dry before storing indoors over winter. Hozelock recommends replacing the wick material with a new set each year. For spares and accessories, please visit [www.hozelockservice.com](http://www.hozelockservice.com)

## Contact

For product advice please contact:

Hozelock Consumer Services,  
Hozelock Ltd., Midpoint Park, Birmingham. B76 1AB.

Tel: 0121 313 1122

[www.hozelock.com](http://www.hozelock.com)

**FREE** HOZELOCK MONTHLY  
**PRIZE DRAW**

To enter your chance to win, visit:  
[www.hozelock.com/win](http://www.hozelock.com/win)

**HOZELOCK**

Hozelock Ltd.  
Midpoint Park, Birmingham,  
B76 1AB, England  
Tel: +44 (0) 121 313 1122

[www.hozelock.com](http://www.hozelock.com)

33894-000