

Plasson's comprehensive range of solutions for connecting PE pipe can be found in over 80 countries world-wide.

The combination of Plasson's high quality products and first class customer service make it a world leader in the production of plastic pipe fittings.

Product Range:

- mechanical
- pushfit
- electrofusion
- valves
- metering
- repair clamps
- threaded
- tools/accessories
- specialist ef tooling



Contact Us:

Plasson UK Ltd
Plasson House
27 Albert Drive
Burgess Hill
West Sussex
RH15 9TN

Tel: 01444 244446
Fax: 01444 258683
sales@plasson.co.uk

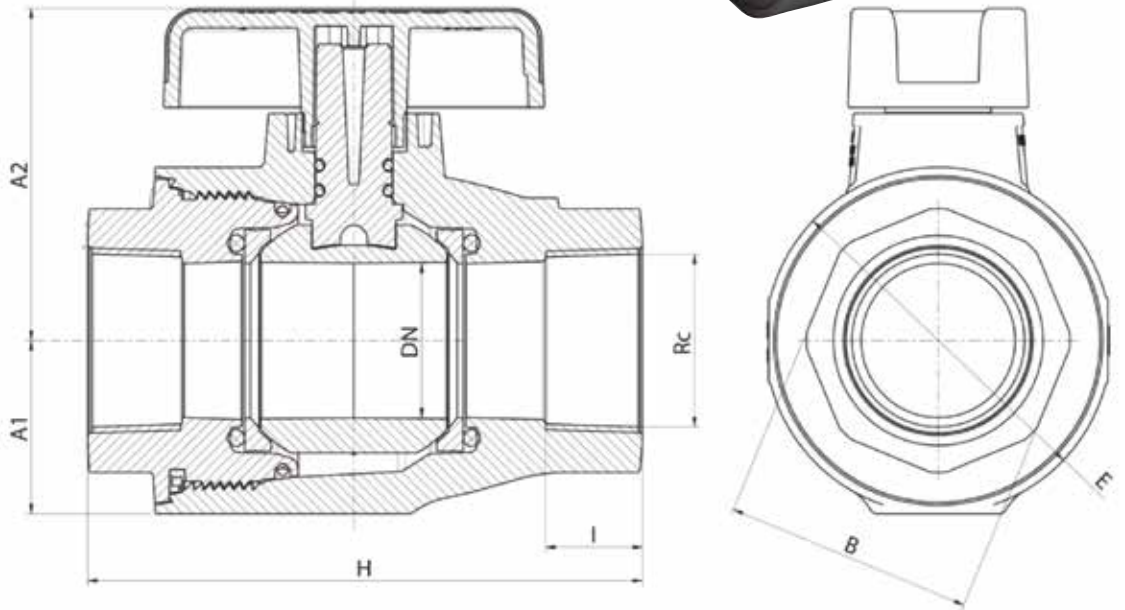
3703 Mains Stop Valve For Above & Below Ground use

The first WRAS approved high performance non metallic mains stop valve - an alternative to the BS5433 type and universal DZR and gunmetal stop valves. The lead free alternative.



Key Features:

- Above and below ground primary stop valve.
- Full bore (ultra-low headloss).
- Quarter turn operation.
- 'O' ring sealed spindle for reliability.
- Options for drain port (Above ground use).
- Non metallic/corrosion resistant for long service life.
- Lead free.



This manually operated cold water shut off valve is suitable for 20mm - 63mm water pipes. Use Plasson male adaptor (7020) to adapt threaded valve to PE pipe as required.

Code Without Drain Above & Below Ground	Code With Drain Above Ground only	size	DN x Rc	A1	A2	H	I	B	E	W	Box Qty
370300005	37030F005	1/2"	20 x 1/2"	27	54	97	17	36	53	175	72
370300007	37030F007	3/4"	20 x 3/4"	27	54	97	17	36	53	175	72
370300010	37030F010	1"	25 x 1"	33	64	116	21	46	64	313	72
370300013	37030F013	1 1/4"	32 x 1 1/4"	36	70	118	20	55	73	393	48
370300015	37030F015	1 1/2"	40 x 1 1/2"	45	87	144	24	65	91	712	30
370300020	37030F020	2"	50 x 2"	53	97	162	29	75	100	918	24

Technical Details:	
Application:	Mains Stop Valve For Above & Below Ground Use
Body & Spindle:	Glass reinforced polyamide
Ball:	Glass reinforced polypropylene
Ball Seat:	Polymeric
Handle:	Polypropylene
Seals:	EPDM
Threads:	BSP
Pressure rating:	Water PN 16